

Table of Contents

General Information	2-5	Cam and Groove Fittings (continued)	29-45
Crimp Fittings	3	Tank Car	
Cam and Groove General Information	4-5	Adapters.....	32
Adapters	6-8	Railroad Connections.....	32-33
Type A Dixon / Boss-Lock.....	6	Elbows	
Type E Dixon / Boss-Lock	7	45°	33
Type F Dixon / Boss-Lock	8	90°	33
Plugs	9	Type A, D, E, C, F, B	34-35
Couplers	10-18	Reducing Couplings	
Type C Dixon.....	10	Type A, D, E, C, F, B	35-36
Type C Boss-Lock	11	Coupler x Adapter	37
Type C EZ Boss-Lock.....	12	Boss-Lock	38
Type D Dixon.....	13	EZ Boss-Lock.....	38
Type D Boss-Lock	14	Lockable Dust Caps	38
Type D EZ Boss-Lock.....	15	Dixon Spool	
Type B Dixon.....	16	Adapters.....	39
Type B Boss-Lock	17	Couplers.....	39
Type B EZ Boss-Lock.....	18	Boss-Lock Spool Couplers.....	39
Dust Caps	19-21	Adapters and Couplers x 150# Flange.....	40
Type DC Dixon	19	Inline Sight Glass	40
Type DC Boss-Lock.....	20	Specialty Items.....	41
Type DC EZ Boss-Lock.....	21	TTMA Flange Adapters.....	41
Global Cam and Groove	22-25	TTMA Flange Extensions	42
Adapters		Adapter/Coupler x Round Tank Truck Flange	42
Type A, E, F.....	22	22½° Adapter/Coupler x Round Tank Truck Flange	42
Dust Plugs	23	Round Tank Truck Flange Gaskets	42
Couplers		Dixon Vapor Recovery Couplers	43
Type B, C, D.....	23	Cam and Groove Welding	
Dust Caps.....	24	Adapters.....	44
Handle Assemblies.....	24	Couplers.....	44-45
Spool Couplers		Accessories	46-48
Type DD, AA.....	25	Handle Assemblies.....	46-47
Jump Size.....	25	Pull Rings	47
Polypropylene	26-28	Clips and Lanyards.....	47-48
Adapters	26	Chains	48
Couplers	27	Hand Swager with Cutter	48
Replacement Parts.....	28	Gaskets	49-51
Cam and Groove Fittings	29-45	Cam and Groove	49
Swaged	29	Fuel	49
Notched		PTFE	50
Ferrules	29	Dimensions	51
Couplers.....	30	Color Codes	51
Adapters.....	30		
Notched NOS			
Ferrules.....	31		
Couplers.....	31		
Adapters.....	31		

Crimp Fittings

Only use the crimp style shanks with the crimp style sleeves and ferrules. Due to differences in dimensions and tolerances for safety reasons, do not interchange other manufacturer's products with Dixon products.



Cam and Groove

Styles offered:

- Dixon type C couplers
- EZ Boss-Lock type C couplers
- Dixon type E adapters
- global type C couplers
- global type E adapters

Materials:

- 356T6 aluminum
- brass
- 316 stainless steel
- unplated ductile iron

Sizes:

- 1", 1¼", 1½", 2", 3", 4", 6"



Sleeves and Ferrules

Styles offered:

- sleeve (1", 1¼", 1½", 2", 3", 4", 6")
- ferrule (1", 1¼", 1½", 2", 3", 4", 6")

Materials:

- carbon steel
- 304 stainless steel
- aluminum (1", 1¼", 1½" and 2" sleeves)



Please contact Dixon at 800.355.1991 for specific crimp recommendations.

Dixon



Features:

- precision machined to rigid tolerances
- durable stainless steel cam arm pins will not rust or bind, providing greater strength and safety
- recess holds gasket firmly in place - ensures proper placement
- long shank design allows proper banding, thus eliminating the major cause of hose damage

Boss-Lock

Features:

- The cast-in lugs allow safety clips to be attached once the lugs are passed through slots in the special cam lever arms providing a patented safety feature. The clips prevent the coupler from being unlocked until they are removed, providing a *positive locking action*.
- Boss-Lock investment stainless steel cam arms are guaranteed! Should you break a Boss-Lock investment stainless steel cam arm, return it to the nearest warehouse for a free replacement.
- The pull ring safety clip simplifies the locking action on Boss-Lock couplers. No more inserting clips or dangling lanyards, just a twist and it's locked, giving you a low profile positive locking action.



pull ring safety clip

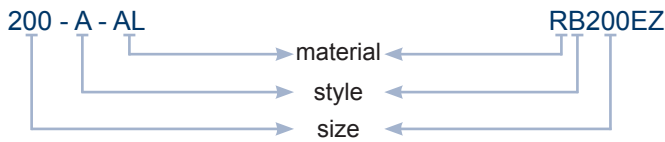
EZ Boss-Lock

Features:

- no more fumbling with clamps, wire, clips or pins, just close the handles and the locking mechanism is engaged
- extremely easy to open, the release lever is under your thumb when you want to open the fitting, ergonomic
- resistant to accidental disconnection when being dragged; the release lever opens in the direction opposite to the cam arm, so movements that can open the release lever also can close the cam arm
- if the rotating lever is not flush with the handle, it is not properly engaged
- no sliding pins to jam or pop open
- rotating action helps keep the locking device free of debris
- rugged design protects critical parts from impact
- can be supplied with custom shanks, also available with swaged and PF shanks for hard to couple chemical hoses
- assemblies are investment cast stainless steel with plated carbon steel pull rings
- small OD makes it easy to insert into the hose tubes on tank trucks and to use in restricted spaces
- assemblies can be retrofitted onto undamaged stainless steel Boss-Lock allowing you to protect your investment in stainless steel Boss-Lock couplings while you upgrade
- made in the USA



Ordering System



Size represents the coupler or adapter and hose or pipe end. (i.e. 200 = 2") If the coupling is a reducing size, the coupler or adapter is the first size. (i.e. 4030-C is 4" coupler to 3" hose shank).

Operation of Cam and Groove


- To make connection, simply slide the adapter into the coupler and with normal hand pressure, press the cam levers down.
- Uncoupling is as quick and simple as coupling. Just lift the cam arms and remove the adapter.

Specifications on Dixon Cam and Groove

Specifications:

- Dixon, Boss-Lock and EZ Boss-Lock cam and groove couplers and adapters are produced to interchange with all product produced to Commercial Item Description A-A-59326D.
- No standard exists for the 1/2" and 8" fittings, and generally these sizes do not interchange with other manufacturers.
- Dust caps and dust plugs are **not** to be used in pressure applications for safety and environmental reasons.
- Designed for use with liquids*, consult Dixon for specific recommendations.

Pressure Ratings:

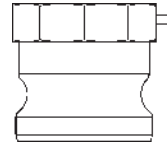
 Recommendations based on the use of mating Dixon fittings at ambient temperature (70°F) with standard Buna-N seal installed. For use at elevated temperature or other unusual operating conditions, consult Dixon. Dixon, Boss-Lock and EZ Boss-Lock couplers and adapters maximum working pressure are as follows:

Size	1/2"	3/4" thru 2"	2 1/2"	3"	4"	5" and 6"	8"
PSI	150	250	150	125	100	75	50
PSI ¹	150	250	150	150	150	75	50

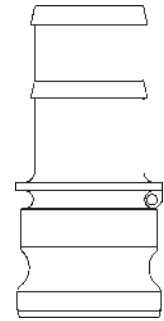
¹ working pressure with King Crimp ferrule system

Cam and Groove Line Drawings

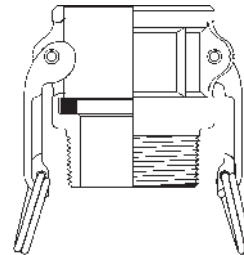
Line drawings are representative of the Dixon line of cam and groove.



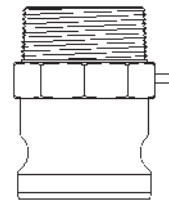
Type A
male adapter x female NPT



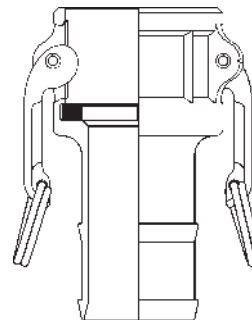
Type E
male adapter x hose shank



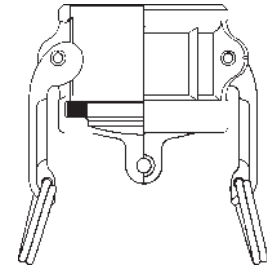
Type B
female coupler x male NPT



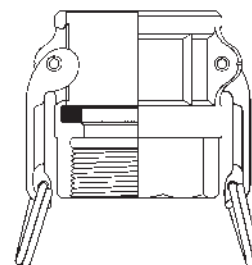
Type F
male adapter x male NPT



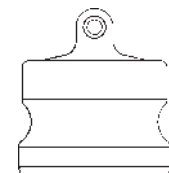
Type C
female coupler x hose shank




Type DC *
dust cap



Type D
female coupler x female NPT



Type DP *
dust plug

* Dust caps and dust plugs are **not** to be used in pressure applications for safety and environmental reasons. 

WARNING

Under no circumstances should cam and groove couplings be used for compressed air or steam service!

Dixon / Boss-Lock Type A Adapters

Feature:

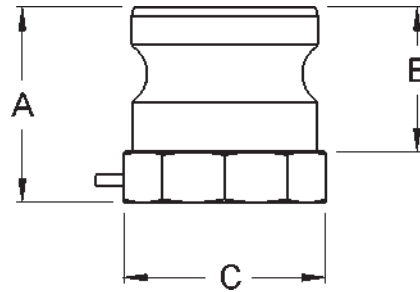
- Pressure rating is based on the seal of the mating part. See ratings on page 5.



Size	356T6 Aluminum Part #	Aluminum Hard Coat Part #	Brass Part #	Unplated Mall. Iron Part #	Plated Mall. Iron Part #	316 Stain. Steel Part #
1/2"	50-A-AL ²	---	50-A-BR	---	---	50-A-SS
3/4" x 1/2"	7550-A-AL ²	---	7550-A-BR	---	---	7550-A-SS
3/4"	75-A-AL ²	---	75-A-BR	---	75-A-PM	75-A-SS
1"	100-A-AL ²	---	100-A-BR	---	100-A-PM	100-A-SS
1 1/4"	125-A-AL	---	125-A-BR	---	---	125-A-SS
1 1/2"	150-A-AL	150-A-ALH	150-A-BR	150-A-MI	150-A-PM	150-A-SS
2"	200-A-AL	200-A-ALH	200-A-BR	200-A-MI	200-A-PM	200-A-SS
2 1/2"	250-A-AL	---	250-A-BR	---	---	250-A-SS
3"	300-A-AL	300-A-ALH	300-A-BR	300-A-MI	300-A-PM	300-A-SS
4"	400-A-AL	400-A-ALH	400-A-BR	400-A-MI	400-A-PM	400-A-SS
5"	500-A-AL	---	500-A-BR	500-A-MI	---	500-A-SS
6"	600-A-AL	600-A-ALH	600-A-BR	---	600-A-PM ¹	600-A-SS
8" DIX	800-A-AL ¹	---	---	---	---	---
8" BL	801-A-AL ¹	---	---	---	---	---



¹ Dixon and Boss-Lock cam and groove couplings do not interchange in the 8" and 1/2" sizes.
² made from 6061-T6 aluminum



356T6 aluminum, brass and iron dimensions

Size	1/2"	3/4" x 1/2"	3/4"	1"	1 1/4"	1 1/2"	2"	2 1/2"	3"	4"	5"	6"	8" DIX	8" BL
A overall length	1-11/16	1-21/32	1-5/8	1-31/32	2-7/32	2-3/16	2-5/8	2-11/16	2 3/4	3-1/8	3-3/8	3-11/32	4-13/16	4-7/16
B adapter length	1-1/16	1-1/16	1-1/16	1-3/8	1-9/16	1-5/8	1-7/8	1-15/16	2	2-1/16	2 1/4	2 1/4	3-9/16	2 1/4
C distance across flats	1	1-3/8	1-3/8	1 1/2	2	2-9/32	2 3/4	3 1/4	3-7/8	5	7 1/4	7 1/4	10-5/8	10-5/8

316 stainless steel dimensions

Size	1/2"	3/4" x 1/2"	3/4"	1"	1 1/4"	1 1/2"	2"	2 1/2"	3"	4"	5"	6"	8" DIX	8" BL
A overall length	1-11/16	1-17/32	1 1/2	1-31/32	2-1/8	2-3/16	2-19/32	3-11/32	2-29/32	3-11/64	3 1/4	3 1/4	---	---
B adapter length	1-1/16	1	1	1-5/16	1-9/16	1-5/8	1-7/8	1-15/16	2	2-1/16	2-5/16	2 1/4	---	---
C distance across flats	1	1-5/16	1-5/16	1 1/2	1-15/16	2-9/32	2-11/16	3-3/8	3 3/4	5	6-17/32	7 1/4	---	---

Dixon / Boss-Lock Type E Adapters

Feature:

- Pressure rating is based on the seal of the mating part. See ratings on page 5.



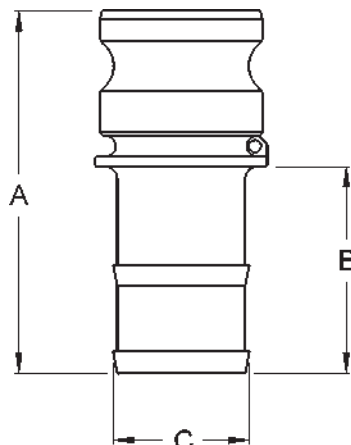
Size	356T6 Aluminum Part #	Aluminum Hard Coat Part #	Brass Part #	Unplated Mall. Iron Part #	Plated Mall. Iron Part #	316 Stain. Steel Part #
1/2"	50-E-AL	---	50-E-BR	---	---	50-E-SS
3/4" x 1/2"	7550-E-AL	---	---	---	---	7550-E-SS
3/4"	75-E-AL	---	75-E-BR	---	75-E-PM	75-E-SS
1"	100-E-AL	---	100-E-BR	---	100-E-PM	100-E-SS
1 1/4"	125-E-AL	---	125-E-BR	---	125-E-PM	125-E-SS
1 1/2"	150-E-AL	150-E-ALH	150-E-BR	150-E-MI	150-E-PM	150-E-SS
2"	200-E-AL	200-E-ALH	200-E-BR	200-E-MI	200-E-PM	200-E-SS
2 1/2"	250-E-AL	---	250-E-BR	---	---	250-E-SS
3"	300-E-AL	300-E-ALH	300-E-BR	300-E-MI ²	300-E-PM ²	300-E-SS
4"	400-E-AL	400-E-ALH	400-E-BR	400-E-MI ^{1,2}	400-E-PM ^{1,2}	400-E-SS
5"	500-E-AL	---	---	---	---	500-E-SS
6"	600-E-AL	600-E-ALH	600-E-BR	600-E-MI ^{1,2}	600-E-PM ^{1,2}	600-E-SS
8" DIX	800-E-AL ¹	---	---	---	---	---
8" BL	801-E-AL ¹	---	---	---	---	---



¹ Dixon and Boss-Lock cam and groove couplings do not interchange in the 8" and 1/2" sizes

² Suitable for King Crimp sleeves and ferrules.

³ ductile iron



356T6 aluminum, brass and iron dimensions

Size	1/2"	3/4" x 1/2"	3/4"	1"	1 1/4"	1 1/2"	2"	2 1/2"	3"	4"	5"	6"	8" DIX	8" BL
A overall length	2 1/2	2 3/4	3-15/16	4-5/8	4-7/8	5-1/16	6-1/32	6 3/4	6-25/32	7-3/16	7-5/32	9-5/32	11-13/16	11-7/16
B hose shank length	1-7/16	1-5/16	2-3/8	2-15/16	2-13/16	2-29/32	3-3/8	3 3/4	4-7/32	4 1/4	4 1/4	6-1/32	8	8
C hose shank OD	9/16	19/32	27/32	1-1/16	1-11/32	1-9/16	2-1/16	2-5/8	3-3/32	4-3/32	5-3/32	6-1/16	8-1/16	8-3/32

316 stainless steel dimensions

Size	1/2"	3/4" x 1/2"	3/4"	1"	1 1/4"	1 1/2"	2"	2 1/2"	3"	4"	5"	6"	8" DIX	8" BL
A overall length	2-7/16	2 3/4	3-15/32	4-11/16	4-7/8	4-31/32	5 3/4	6 3/4	6-7/8	6-7/8	7-11/64	9-7/16	---	---
B hose shank length	1-7/16	1-5/16	2-3/8	2-15/16	2-13/16	2-29/32	3-3/8	3 3/4	4-3/16	4 1/4	4 1/4	6-3/32	---	---
C hose shank OD	9/16	19/32	27/32	1-1/16	1-11/32	1-9/16	2-1/16	2-5/8	3-3/32	4-3/32	5-3/32	6-1/16	---	---

Dixon / Boss-Lock Type F Adapters



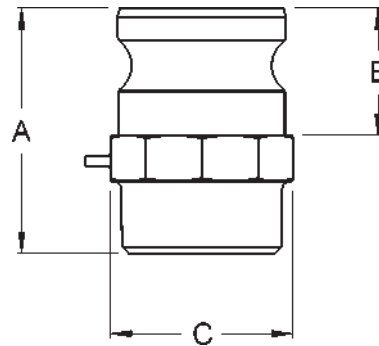
• Pressure rating is based on the seal of the mating part. See ratings on page 5.



Size	356T6 Aluminum Part #	Aluminum Hard Coat Part #	Brass Part #	Unplated Mall. Iron Part #	Plated Mall. Iron Part #	316 Stain. Steel Part #
1/2"	50-F-AL	---	50-F-BR	---	---	50-F-SS
3/4" x 1/2"	7550-F-AL	---	7550-F-BR	---	---	7550-F-SS
3/4"	75-F-AL	---	75-F-BR	---	75-F-PM	75-F-SS
1"	100-F-AL	---	100-F-BR	---	100-F-PM	100-F-SS
1 1/4"	125-F-AL	---	125-F-BR	---	---	125-F-SS
1 1/2"	150-F-AL	150-F-ALH	150-F-BR	150-F-MI	150-F-PM	150-F-SS
2"	200-F-AL	200-F-ALH	200-F-BR	200-F-MI	200-F-PM	200-F-SS
2 1/2"	250-F-AL	---	250-F-BR	---	---	250-F-SS
3"	300-F-AL	300-F-ALH	300-F-BR	300-F-MI	300-F-PM	300-F-SS
4"	400-F-AL	400-F-ALH	400-F-BR	400-F-MI	400-F-PM	400-F-SS
5"	500-F-AL	---	---	---	600-F-PM	600-F-SS
6"	600-F-AL	600-F-ALH	600-F-BR	---	---	---
8" DIX	800-F-AL ¹	---	---	---	---	---
8" BL	801-F-AL ¹	---	---	---	---	---



¹ Dixon and Boss-Lock cam and groove couplings *do not interchange in the 8" and 1/2" sizes.*



356T6 aluminum, brass and iron dimensions

Size	1/2"	3/4" x 1/2"	3/4"	1"	1 1/4"	1 1/2"	2"	2 1/2"	3"	4"	5"	6"	8" DIX	8" BL
A overall length	2-1/8	2 1/2	2 1/2	2-15/16	2-15/16	3-5/32	3-17/32	4-7/16	4-1/8	4-21/32	4 1/2	5-17/32	6-7/8	6-3/8
B adapter length	1-1/16	1-1/16	1-1/16	1-5/16	1-9/16	1-5/8	1-7/8	1-15/16	2	2-1/16	2-5/16	2 1/4	3-9/16	3-1/16
C distance across flats	1	1-5/16	1-3/8	1 1/2	1-7/8	2 1/4	2-11/16	3 1/4	3 3/4	5	6 1/2	8-1/32	10-23/32	10-23/32

316 stainless steel dimensions

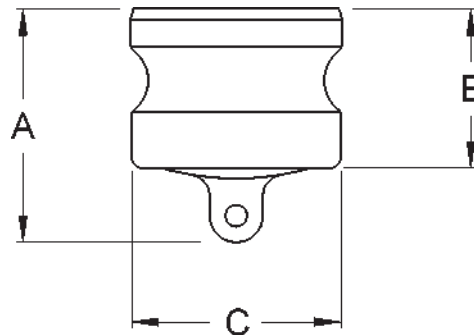
Size	1/2"	3/4" x 1/2"	3/4"	1"	1 1/4"	1 1/2"	2"	2 1/2"	3"	4"	5"	6"	8" DIX	8" BL
A overall length	2-1/8	2 1/2	2-1/8	2-9/16	3-7/32	3-1/8	3-5/8	4-5/16	4-17/32	4-15/16	---	4-15/16	---	---
B adapter length	1-1/16	1-1/16	1-1/16	1-5/16	1-9/16	1-5/8	1-7/8	1-15/16	2	2-1/16	---	2 1/4	---	---
C distance across flats	1	1-5/16	1-5/16	1 1/2	1-15/16	2 1/4	2-11/16	3 1/4	3 3/4	5	---	7 1/4	---	---

Dixon / Boss-Lock Type DP Plugs

Size	356T6 Aluminum Part #	Aluminum Hard Coat Part #	Brass Part #	Unplated Mall. Iron Part #	Plated Mall. Iron Part #	316 Stain. Steel Part #
½"	---	---	50-DP-BR	---	---	50-DP-SS
¾"	75-DP-AL	---	75-DP-BR	---	---	75-DP-SS
1"	100-DP-AL	---	100-DP-BR	---	100-DP-PM	100-DP-SS
1¼"	125-DP-AL	---	125-DP-BR	---	125-DP-PM	125-DP-SS
1½"	150-DP-AL	150-DP-ALH	150-DP-BR	150-DP-MI	150-DP-PM	150-DP-SS
2"	200-DP-AL	200-DP-ALH	200-DP-BR	200-DP-MI	200-DP-PM	200-DP-SS
2½"	250-DP-AL	---	---	---	250-DP-PM	250-DP-SS
3"	300-DP-AL	300-DP-ALH	300-DP-BR	300-DP-MI	300-DP-PM	300-DP-SS
4"	400-DP-AL	400-DP-ALH	400-DP-BR	400-DP-MI	400-DP-PM	400-DP-SS
5"	500-DP-AL	---	---	---	---	---
6"	600-DP-AL	600-DP-ALH	600-DP-BR	---	---	600-DP-SS
8" DIX	800-DP-AL ¹	---	---	---	---	---
8" BL	801-DP-AL ¹	---	---	---	---	---



¹ Dixon and Boss-Lock cam and groove couplings do not interchange in the 8" and ½" sizes.
 Dust caps and dust plugs are not to be used in pressure applications for safety and environmental reasons.



356T6 aluminum, brass and iron dimensions

Size	½"	¾"	1"	1¼"	1½"	2"	2½"	3"	4"	5"	6"	8" DIX	8" BL
A overall length	1-7/16	1-23/32	1-5/8	2-3/8	2-13/32	2-7/8	2-7/8	2-13/16	3-1/16	3-3/8	3-1/16	5-3/16	4-11/16
B adapter length	15/16	1-3/32	1-3/8	1-5/8	1-5/8	1-7/8	1-31/32	2	2-1/16	2-11/32	2-1/8	3-9/16	3-1/16
C outside OD	15/16	1¼	1-7/16	1-25/32	2-1/8	2½	2-31/32	3-19/32	4-23/32	5-23/32	6-15/16	9-1/8	8-15/16

316 stainless steel dimensions

Size	½"	¾"	1"	1¼"	1½"	2"	2½"	3"	4"	5"	6"	8" DIX	8" BL
A overall length	1-7/16	1-11/16	1-15/16	2	2½	2¾	2-7/8	2-27/32	3-1/8	---	3½	---	---
B adapter length	15/16	1-1/16	1-3/8	1½	1-5/8	1-7/8	1-7/8	2	2-1/16	---	2¼	---	---
C outside OD	15/16	1¼	1-7/16	1-25/32	2-1/8	2½	2-31/32	3-19/32	4-23/32	---	6-15/16	---	---

Dixon Type C Couplers

Features:

- Finger rings are not supplied on 1/2" - 1" Dixon couplings.
- 1/2" Dixon coupler has only one cam arm.
- Couplers are supplied standard with a Buna-N gasket. Other gasket types are available on pages 49-50.



Size	356T6 Aluminum Part #	Aluminum Hard Coat Part #	Brass Part #	Unplated Malleable Iron Part #	316 Stainless Steel Part #
1/2"	50-C-AL	---	50-C-BR	---	50-C-SS
3/4"	75-C-AL	---	75-C-BR	---	75-C-SS
1"	100-C-AL	---	100-C-BR	---	100-C-SS
1 1/4"	125-C-AL	---	125-C-BR	---	125-C-SS
1 1/2"	150-C-AL	150-C-ALH	150-C-BR	150-C-MI	150-C-SS
2"	200-C-AL	200-C-ALH	200-C-BR	200-C-MI	200-C-SS
2 1/2"	250-C-AL	---	250-C-BR	---	250-C-SS
3"	300-C-AL	300-C-ALH	300-C-BR	300-C-MI ²	300-C-SS
4"	400-C-AL	400-C-ALH	400-C-BR	400-C-MI ^{1,2}	400-C-SS
5"	500-C-AL	---	---	---	500-C-SS
6"	600-C-AL	600-C-ALH	600-C-BR	600-C-MI ^{1,2}	600-C-SS
8"	800-C-AL ¹	---	---	---	---

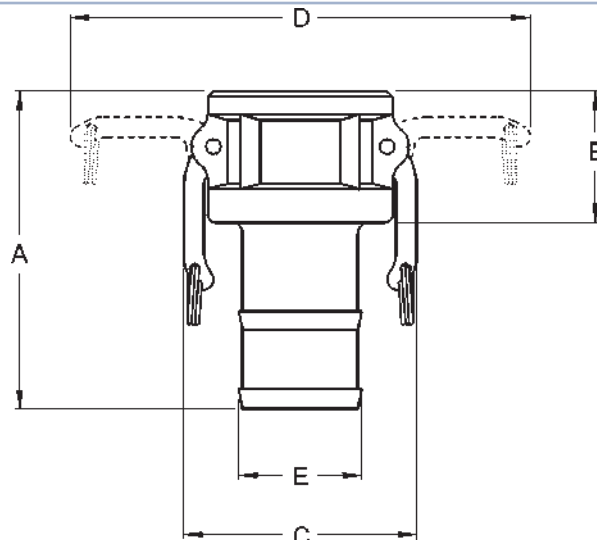


¹ Dixon and Boss-Lock cam and groove couplings *do not interchange in the 8" and 1/2" sizes.*

The 8" Dixon design has 4 cam arms, Boss-Lock design has 2 cam arms.

² Suitable for use with King Crimp sleeves and ferrules.

³ ductile iron



356T6 aluminum, brass and iron dimensions

Size	1/2"	3/4"	1"	1 1/4"	1 1/2"	2"	2 1/2"	3"	4"	5"	6"	8"
A overall length	2-5/8	3 3/4	4 1/2	4-5/16	4-7/8	5-19/32	5 1/2	6-17/32	6-9/16	6-9/16	8-21/32	11-13/16
B coupler length	1-3/16	1 1/4	1-9/16	1-15/16	1-31/32	2-7/32	2-7/32	2-5/16	2-5/16	2-5/16	2-5/8	3-13/16
C distance across closed cam arms	1-17/32	2-1/8	2-7/16	3 1/4	3-9/16	3-15/16	4-7/16	5-15/32	6-9/16	7-9/16	10-3/32	12-1/32
D distance across open cam arms	2-11/16	4-3/8	5-3/16	7-5/32	7-7/16	7-13/16	8-11/32	10-3/32	11-3/16	12-3/16	16 1/4	19-31/32
E hose shank OD	19/32	27/32	1-1/16	1-11/32	1-9/16	2-1/16	2-5/8	3-3/32	4-3/32	5-3/32	6-1/16	8-3/32

316 stainless steel dimensions

Size	1/2"	3/4"	1"	1 1/4"	1 1/2"	2"	2 1/2"	3"	4"	5"	6"	8"
A overall length	3-7/32	3-11/16	4 1/2	4-5/8	4-13/16	5-19/32	6-1/16	6-7/16	6-17/32	7-3/8	8-11/16	---
B coupler length	1-7/32	1 1/4	1-9/16	1-29/32	1-29/32	2-7/32	2 1/4	2 1/4	2-9/32	2-7/16	2-19/32	---
C distance across closed cam arms	1-17/32	2-1/8	2-7/16	3 1/4	3-9/16	3-15/16	4-7/16	5-15/32	6-9/16	7-9/16	10-3/32	---
D distance across open cam arms	2-11/16	4-3/8	5-3/16	7-5/32	7-7/16	7-13/16	8-11/32	9-15/16	11-1/32	12-3/16	16 1/4	---
E hose shank OD	19/32	27/32	1-1/16	1-11/32	1-9/16	2-1/16	2-5/8	3-3/32	4-3/32	5-3/32	6-1/16	---

Boss-Lock Type C Couplers

Features:

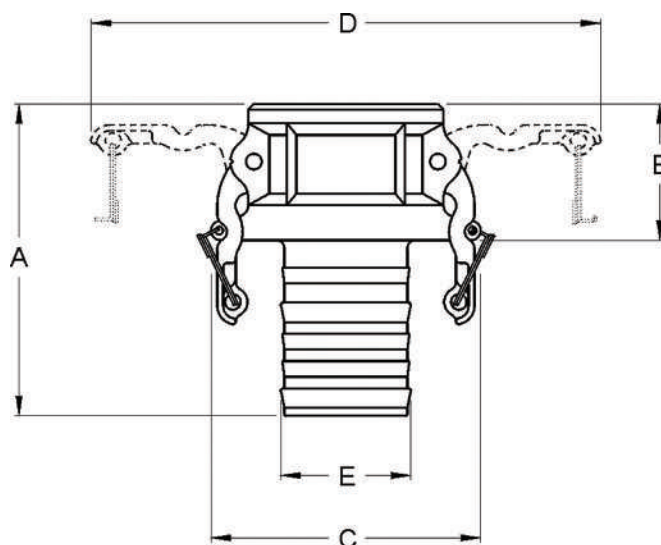
- All Boss-Lock couplers are supplied with safety clips.
- Couplers are supplied standard with a Buna-N gasket. Other gasket types are available on pages 49-50.

Size	356T6 Aluminum Part #	Brass Part #	Plated Malleable Iron Part #	316 Stainless Steel Part #
3/4" x 1/2"	---	---	---	RC050BL
3/4"	AC075	BC075	IC075	RC075BL
1"	AC100	BC100	IC100	RC100BL
1 1/4"	AC125	BC125	---	RC125BL
1 1/2"	AC150	BC150	IC150	RC150BLNO
2"	AC200	BC200	IC200	RC200BLNO
2 1/2"	AC250	BC250	---	---
3"	AC300	BC300	IC300	RC300BL
4"	AC400	BC400	IC400 ²	RC400BLNO
6"	AC600	BC600	IC600 ²	---
8"	AC800 ¹	---	---	---



¹ Dixon and Boss-Lock cam and groove couplings *do not interchange in the 8" and 1/2"* sizes. The 8" Dixon design has 4 cam arms, Boss-Lock design has 2 cam arms.

² ductile iron



356T6 aluminum, brass and iron dimensions

Size	3/4" x 1/2"	3/4"	1"	1 1/4"	1 1/2"	2"	2 1/2"	3"	4"	6"	8"
A overall length	---	4-3/8	4-7/8	5-7/16	4-29/32	5-19/32	6-1/16	6-3/16	6 1/2	8-3/8	11-13/16
B coupler length	---	1-13/32	1-17/32	1-29/32	1-31/32	2-7/32	2 1/4	2 1/4	2 1/4	2-5/8	2-13/16
C distance across safety lugs	---	2-19/32	2-29/32	3-5/8	3-29/32	4-5/16	4-13/16	5-9/16	6-11/16	9-5/8	11-5/8
D distance across open cam arms	---	5-13/32	5-9/16	7-15/32	7-25/32	8-5/32	8-21/32	9-29/32	11	16-5/32	18-5/32
E hose shank OD	---	27/32	1-1/16	1-11/32	1-9/16	2-1/16	2-19/32	3-3/32	4-3/32	6-3/32	8-1/16

316 stainless steel dimensions

Size	3/4" x 1/2"	3/4"	1"	1 1/4"	1 1/2"	2"	2 1/2"	3"	4"	6"	8"
A overall length	3-3/32	3-7/8	4 1/2	4-31/32	5-1/16	5-9/16	---	6-15/32	6-9/16	---	---
B coupler length	1-5/16	1-9/32	1-9/16	2-1/32	2-5/32	2-3/16	---	2-9/32	2-5/16	---	---
C distance across safety lugs	2-25/32	2-25/32	2-29/32	3-5/8	3-29/32	4-5/16	---	5-9/16	6-11/16	---	---
D distance across open cam arms	5-13/32	5-13/32	5-9/16	7-15/32	7-25/32	8-5/32	---	9-29/32	11	---	---
E hose shank OD	19/32	27/32	1-1/16	1-5/16	1-9/16	2-1/16	---	3-3/32	4-3/32	---	---

EZ Boss-Lock Type C Couplers

Feature:

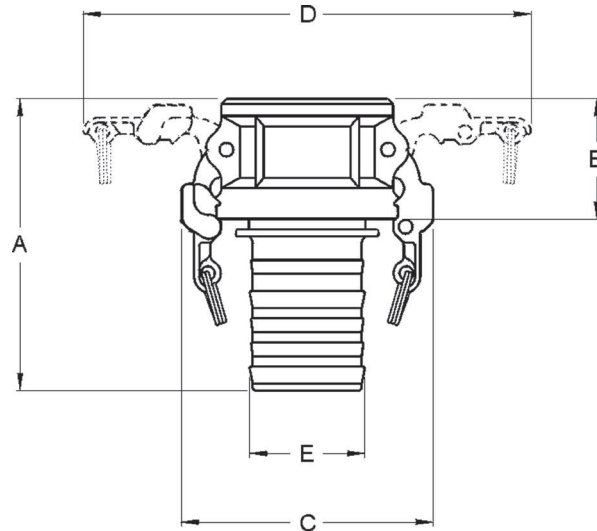
- Couplers are supplied standard with a Buna-N gasket. Other gasket types are available on pages 49-50.



Size	356T6 Aluminum Part #	Brass Part #	316 Stainless Steel Part #
3/4" x 1/2"	---	---	RC050EZ
3/4"	AC075EZ	BC075EZ	RC075EZ
1"	AC100EZ	BC100EZ	RC100EZCR
1 1/4"	---	BC125EZ	RC125EZCR
1 1/2"	AC150EZ	BC150EZ	RC150EZNO
2"	AC200EZ	BC200EZ	RC200EZNO
2 1/2"	AC250EZ	---	---
3"	AC300EZ	BC300EZ	RC300EZCR
4"	AC400EZ	BC400EZ	RC400EZCR
6"	AC600EZ	---	RC600EZCR
8"	AC800EZ ¹	---	---



¹ Dixon and Boss-Lock cam and groove couplings *do not interchange in the 8" and 1/2" sizes*. The 8" Dixon design has 4 cam arms, Boss-Lock design has 2 cam arms. *Under no circumstances should the EZ Boss-Lock cam arms be used on any fitting not specifically designed for their use.*



356T6 aluminum, brass and iron dimensions

Size	3/4" x 1/2"	3/4"	1"	1 1/4"	1 1/2"	2"	2 1/2"	3"	4"	6"	8"
A overall length	---	4-3/8	4-7/8	5-7/16	4-29/32	5-19/32	6-1/16	6-3/16	6 1/2	8-3/8	11-13/16
B coupler length	---	1-13/32	1-17/32	1-29/32	1-31/32	2-7/32	2 1/4	2 1/4	2 1/4	2-5/8	2-13/16
C distance across closed cam arms	---	3-3/32	3/4	3-29/32	4-7/32	4-19/32	5-3/32	5-27/32	6-27/32	10	12-1/32
D distance across open cam arms	---	6-7/32	6-11/32	7-15/32	7-25/32	8-5/32	8-21/32	9-29/32	11	16-25/32	18-25/32
E hose shank OD	---	27/32	1-1/16	1-11/32	1-9/16	2-1/16	2-19/32	3-3/32	4-3/32	6-3/32	8-1/16

316 stainless steel dimensions

Size	3/4" x 1/2"	3/4"	1"	1 1/4"	1 1/2"	2"	2 1/2"	3"	4"	6"	8"
A overall length	3-3/32	3-7/8	4 1/2	4-31/32	5-1/16	5-9/16	---	6-15/32	6-9/16	8-11/16	---
B coupler length	1-5/16	1-9/32	1-9/16	2-1/32	2-5/32	2-3/16	---	2-9/32	2-5/16	2-19/32	---
C distance across closed cam arms	3-3/32	3-3/32	3/4	3-29/32	4-7/32	4-19/32	---	5-27/32	6-27/32	10	---
D distance across open cam arms	6-7/32	6-7/32	6-11/32	7-15/32	7-25/32	8-5/32	---	9-29/32	11	16-25/32	---
E hose shank OD	19/32	27/32	1-1/16	1-5/16	1-9/16	2-1/16	---	3-3/32	4-3/32	6-1/16	---

Dixon Type D Couplers

Features:

- Finger rings are not supplied on ½" - 1" Dixon couplings.
- ½" Dixon coupler has only one cam arm.
- Couplers are supplied standard with a Buna-N gasket. Other gasket types are available on pages 49-50.

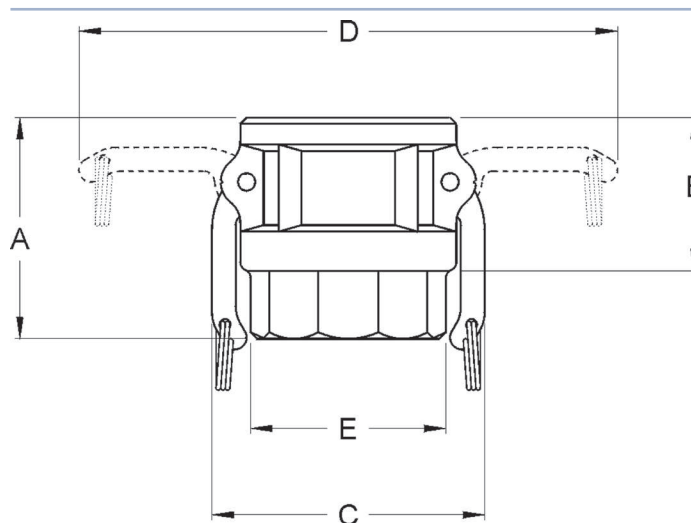
Size	356T6 Aluminum Part #	Aluminum Hard Coat Part #	Brass Part #	Unplated Malleable Iron Part #	316 Stainless Steel Part #
½"	50-D-AL	---	50-D-BR	---	50-D-SS
¾"	75-D-AL	---	75-D-BR	---	75-D-SS
1"	100-D-AL	---	100-D-BR	---	100-D-SS
1¼"	125-D-AL	---	125-D-BR	---	125-D-SS
1½"	150-D-AL	150-D-ALH	150-D-BR	150-D-MI	150-D-SS
2"	200-D-AL	200-D-ALH	200-D-BR	200-D-MI	200-D-SS
2½"	250-D-AL	---	250-D-BR	---	250-D-SS
3"	300-D-AL	300-D-ALH	300-D-BR	300-D-MI	300-D-SS
4"	400-D-AL	400-D-ALH	400-D-BR	400-D-MI ¹	400-D-SS
5"	500-D-AL	---	500-D-BR	500-D-MI	500-D-SS
6"	600-D-AL	600-D-ALH	600-D-BR	---	600-D-SS
8"	800-D-AL ¹	---	---	---	---



¹ Dixon and Boss-Lock cam and groove couplings *do not interchange in the 8" and ½" sizes.*

The 8" Dixon design has 4 cam arms, Boss-Lock design has 2 cam arms.

² ductile iron



356T6 aluminum, brass and iron dimensions

Size	½"	¾"	1"	1¼"	1½"	2"	2½"	3"	4"	5"	6"	8"
A overall length	1-31/32	2-5/32	2-9/16	2-27/32	2-27/32	3-5/16	3-3/8	3-11/16	3-13/16	3¾	4-11/32	5-27/32
B coupler length	1-9/32	1-3/8	1-9/16	1-15/16	1-13/16	2-7/32	2-3/8	2-3/8	2-5/16	2-5/16	2-5/8	3-13/16
C distance across closed cam arms	1-17/32	2-1/8	2-7/16	¾	3-9/16	3-15/16	4-7/16	5-15/32	6-13/16	7-9/16	10-3/32	12-1/32
D distance across open cam arms	2-9/16	4-3/8	5-3/16	7-5/32	7-7/16	7-13/16	8-11/32	10-3/32	11-3/16	12-3/16	16¼	19-31/32
E distance across flats	1-1/16	1-9/32	1-19/32	2	2-3/16	2-5/8	3-7/32	3-7/8	4-7/8	6-9/16 *	7-21/32 *	10-1/16 *

* distance across lugs

316 stainless steel dimensions

Size	½"	¾"	1"	1¼"	1½"	2"	2½"	3"	4"	5"	6"	8"
A overall length	2	2-1/16	2½	2-27/32	2-27/32	3-3/16	3¾	3-9/16	3-11/16	3-13/16	4-1/16	---
B coupler length	1-7/32	1¼	1-9/16	1-29/32	1-29/32	2-7/32	2¼	2-9/32	2-9/32	2-5/16	2-19/32	---
C distance across closed cam arms	1-17/32	2-1/8	2-7/16	¾	3-9/16	3-15/16	4-7/16	5-15/32	6-9/16	7-9/16	10-3/32	---
D distance across open cam arms	2-9/16	4-3/8	5-3/16	7-5/32	7-7/16	7-13/16	8-11/32	9-15/16	11-1/32	12-3/16	16¼	---
E distance across flats	1-3/32	1-5/16	1-5/8	1-15/16	2-3/16	2-11/16	3-1/8	¾	4-7/8	6-7/16 *	7-9/16 *	---

* distance across lugs


Boss-Lock Type D Couplers

Features:

- All Boss-Lock couplers are supplied with safety clips.
- Couplers are supplied standard with a Buna-N gasket. Other gasket types are available on pages 49-50.

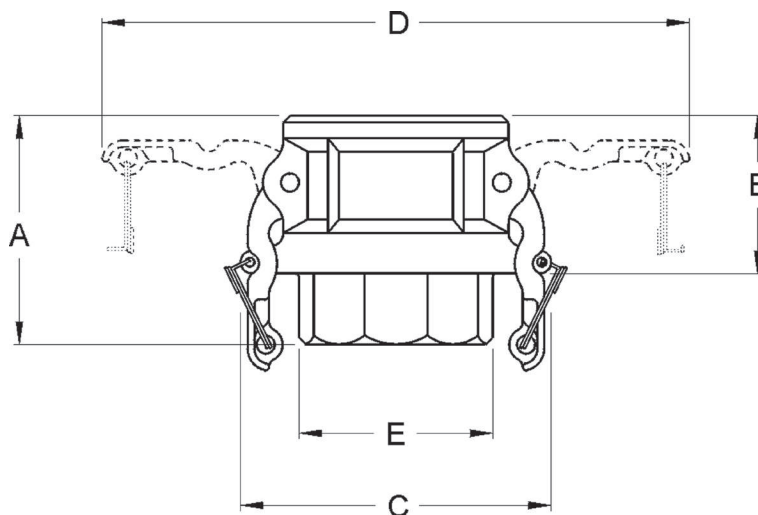


Size	356T6 Aluminum Part #	Brass Part #	Plated Malleable Iron Part #	316 Stainless Steel Part #
3/4" x 1/2"	AD050	BD050	---	RD050BL
3/4"	AD075	BD075	ID075	RD075BL
1"	AD100	BD100	ID100	RD100BL
1 1/4"	AD125	BD125	---	RD125BL
1 1/2"	AD150	BD150	ID150	RD150BL
2"	AD200	BD200	ID200	RD200BL
2 1/2"	AD250	BD250	---	---
3"	AD300	BD300	ID300	RD300BL
4"	AD400	BD400	ID400	RD400BL
5"	AD500	---	---	---
6"	AD600	BD600	ID600 ²	---
8"	AD800 ¹	---	---	---

 ¹ Dixon and Boss-Lock cam and groove couplings *do not interchange in the 8" and 1/2" sizes.*

The 8" Dixon design has 4 cam arms, Boss-Lock design has 2 cam arms.

² ductile iron



356T6 aluminum, brass and iron dimensions

Size	3/4" x 1/2"	3/4"	1"	1 1/4"	1 1/2"	2"	2 1/2"	3"	4"	5"	6"	8"
A overall length	2	2-7/32	2-17/32	3-3/32	2-7/8	3 1/4	3-11/16	3-7/8	3-13/16	4-1/8	4 1/2	4 1/2
B coupler length	1-5/16	1-13/32	1-17/32	1-29/32	2-9/32	2-7/32	2 1/4	2-5/16	2-5/16	2-13/32	2-9/16	2-13/16
C distance across safety lugs	2-19/32	2-19/32	2-29/32	3-5/8	3-29/32	4-5/16	4-13/16	5-9/16	6-11/16	7-25/32	9-5/8	11-5/8
D distance across open cam arms	5-13/32	5-13/32	5-9/16	7-15/32	7-25/32	8-5/32	8-21/32	9-29/32	11	12-1/32	16-5/32	18-5/32
E distance across flats	1-3/16	1-3/8	1-5/8	2	2 1/4	2-5/8	3-5/16	3-7/8	4-7/8	6-25/32 *	8-5/32	9-31/32

* distance across lugs

316 stainless steel dimensions

Size	3/4" x 1/2"	3/4"	1"	1 1/4"	1 1/2"	2"	2 1/2"	3"	4"	5"	6"	8"
A overall length	2	2-1/8	2 1/2	3-3/32	2-27/32	3-3/16	---	3-19/32	4 3/4	---	---	---
B coupler length	1-5/16	1-9/32	1-9/16	1-29/32	1-29/32	2-3/16	---	2-9/32	2-11/32	---	---	---
C distance across safety lugs	2-25/32	2-25/32	2-29/32	3-5/8	3-29/32	4-5/16	---	5-9/16	6-11/16	---	---	---
D distance across open cam arms	5-13/32	5-13/32	5-9/16	7-15/32	7-25/32	8-5/32	---	9-29/32	11	---	---	---
E distance across flats	1-3/16	1-3/8	1-5/8	2	2-3/16	2-11/16	---	3 3/4	4-7/8	---	---	---

EZ Boss-Lock Type D Couplers

Feature:

- Couplers are supplied standard with a Buna-N gasket. Other gasket types are available on pages 49-50.

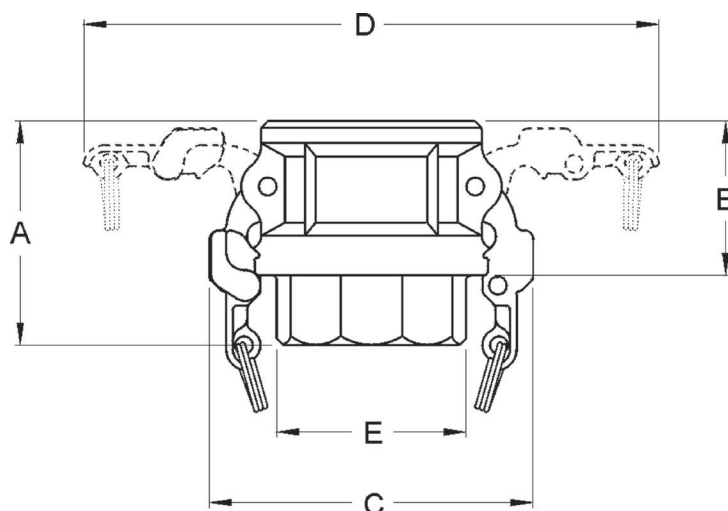
Size	356T6 Aluminum Part #	Brass Part #	316 Stainless Steel Part #	Heavy Duty 316 Stainless Steel Part #
3/4" x 1/2"	---	---	RD050EZ	---
3/4"	AD075EZ	BD075EZ	RD075EZ	---
1"	AD100EZ	BD100EZ	RD100EZ	---
1 1/4"	---	BD125EZ	RD125EZ	---
1 1/2"	AD150EZ	BD150EZ	RD150EZ	---
2"	AD200EZ	BD200EZ	RD200EZ	---
2 1/2"	AD250EZ	BD250EZ	RD250EZ	---
3"	AD300EZ	BD300EZ	RD300EZ	RD300EZHD
4"	AD400EZ	BD400EZ	RD400EZ	RD400EZHD
5"	AD500EZ	---	---	---
6"	AD600EZ	---	RD600EZ	---
8"	AD800EZ ¹	---	---	---



¹ Dixon and Boss-Lock cam and groove couplings *do not interchange in the 8" and 1/2" sizes.*



The 8" Dixon design has 4 cam arms, Boss-Lock design has 2 cam arms.
Under no circumstances should the EZ Boss-Lock cam arms be used on any fitting not specifically designed for their use. See pages 4-5 for further specifications.



356T6 aluminum, brass and iron dimensions

Size	3/4" x 1/2"	3/4"	1"	1 1/4"	1 1/2"	2"	2 1/2"	3"	4"	5"	6"	8"
A overall length	---	2-7/32	2-17/32	3-3/32	2-7/8	3 1/4	3-11/16	3-7/8	3-13/16	4-1/8	4 1/2	4 1/2
B coupler length	---	1-13/32	1-17/32	1-29/32	2-9/32	2-7/32	2 1/4	2-5/16	2-5/16	2-13/32	2-9/16	2-13/16
C distance across closed cam arms	---	3-3/32	3/4	3-29/32	4-7/32	4-19/32	5-3/32	5-27/32	6-27/32	7-7/8	10	12-1/32
D distance across open cam arms	---	6-7/32	6-11/32	7-15/32	7-25/32	8-5/32	8-21/32	9-29/32	11	12-1/16	16-25/32	18-25/32
E distance across flats	---	1-3/8	1-5/8	2	2 1/4	2-5/8	3-5/16	3-7/8	4-7/8	6-25/32 *	8-5/32	9-31/32

* distance across lugs

316 stainless steel dimensions

Size	3/4" x 1/2"	3/4"	1"	1 1/4"	1 1/2"	2"	2 1/2"	3"	4"	5"	6"	8"
A overall length	2	2-1/8	2 1/2	3-3/32	2-27/32	3-3/16	---	3-19/32	4 3/4	---	4-1/16	---
B coupler length	1-5/16	1-9/32	1-9/16	1-29/32	1-29/32	2-3/16	---	2-9/32	2-11/32	---	2-19/32	---
C distance across closed cam arms	3-3/32	3-3/32	3/4	3-29/32	4-7/32	4-19/32	---	5-27/32	6-27/32	---	10	---
D distance across open cam arms	6-7/32	6-7/32	6-11/32	7-15/32	7-25/32	8-5/32	---	9-29/32	11	---	16-25/32	---
E distance across flats	1-3/16	1-3/8	1-5/8	2	2-3/16	2-11/16	---	3 3/4	4-7/8	---	7-9/16	---

Dixon Type B Couplers

Features:

- Finger rings are not supplied on ½" - 1" Dixon couplings.
- ½" Dixon coupler has only one cam arm.
- Couplers are supplied standard with a Buna-N gasket. Other gasket types are available on pages 49-50.



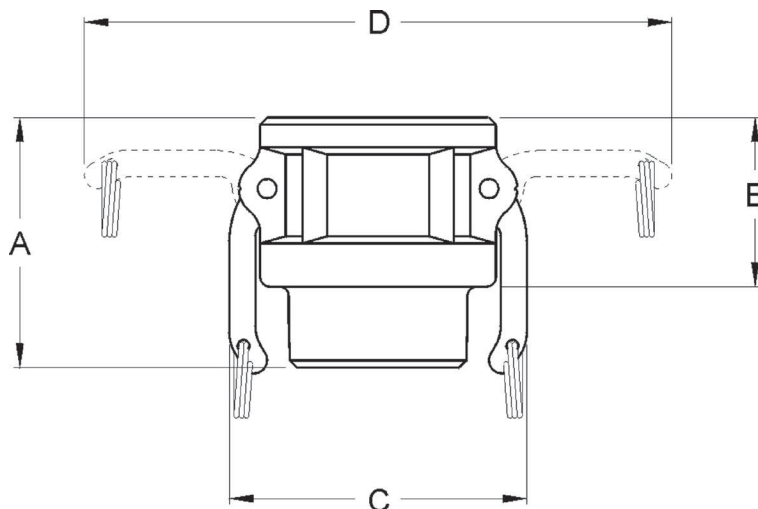
Size	356T6 Aluminum Part #	Aluminum Hard Coat Part #	Brass Part #	Unplated Malleable Iron Part #	316 Stainless Steel Part #
½"	50-B-AL	---	50-B-BR	---	50-B-SS
¾"	75-B-AL	---	75-B-BR	---	75-B-SS
1"	100-B-AL	---	100-B-BR	---	100-B-SS
1¼"	125-B-AL	---	---	---	---
1½"	150-B-AL	150-B-ALH	150-B-BR	150-B-MI ¹	150-B-SS
2"	200-B-AL	200-B-ALH	200-B-BR	200-B-MI	200-B-SS
2½"	250-B-AL	---	---	---	250-B-SS
3"	300-B-AL	300-B-ALH	300-B-BR	300-B-MI ¹	300-B-SS
4"	400-B-AL	400-B-ALH	400-B-BR	400-B-MI	400-B-SS
5"	500-B-AL	---	---	---	600-B-SS
6"	600-B-AL	600-B-ALH	---	---	---
8"	800-B-AL ^{1,2}	---	---	---	---



¹ Dixon and Boss-Lock cam and groove couplings *do not interchange in the 8" and ½" sizes.*

The 8" Dixon design has 4 cam arms, Boss-Lock design has 2 cam arms.

² Parts are produced as a welded fabrication.



356T6 aluminum, brass and iron dimensions

Size	½"	¾"	1"	1¼"	1½"	2"	2½"	3"	4"	5"	6"	8"
A overall length	2	2-3/16	2-17/32	2-7/8	2-13/16	3¼	3-5/8	3-15/16	4-1/32	4-3/16	4-7/16	8¼
B coupler length	1-5/16	1-3/8	1-7/16	1-31/32	1-29/32	2-7/32	2-3/8	2-5/16	2-11/32	2-5/16	2-5/8	3-13/16
C distance across closed cam arms	1-17/32	2-1/8	2-7/16	¾	3-9/16	3-15/16	4-7/16	5-15/32	6-9/16	7-9/16	10-3/32	12-1/32
D distance across open cam arms	2-9/16	4-3/8	5-3/16	7-5/32	7-7/16	7-13/16	8-11/32	10-3/32	11-3/16	12-3/16	16¼	19-31/32

316 stainless steel dimensions

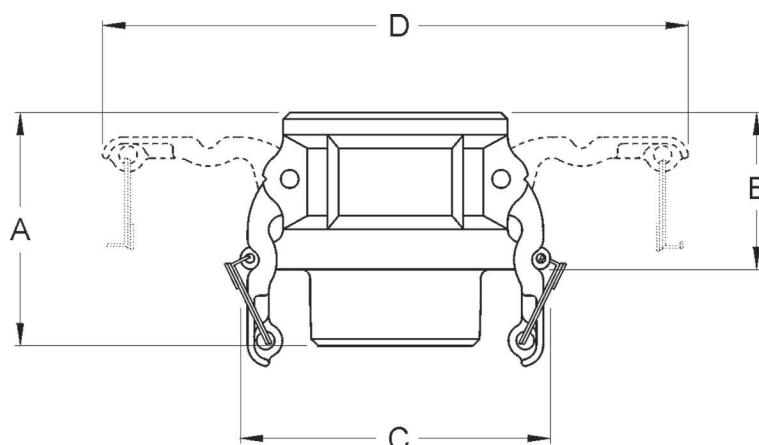
Size	½"	¾"	1"	1¼"	1½"	2"	2½"	3"	4"	5"	6"	8"
A overall length	2-1/32	2-1/8	2-9/16	2-27/32	2-31/32	3-9/32	3-7/16	3-29/32	4	---	4-17/32	---
B coupler length	1-7/32	1¼	1-9/16	1-29/32	1-29/32	2-7/32	2¼	2-5/16	2-9/32	---	2-19/32	---
C distance across closed cam arms	1-17/32	2-1/8	2-7/16	¾	3-9/16	3-15/16	4-7/16	5-15/32	6-9/16	---	10-3/32	---
D distance across open cam arms	2-9/16	4-3/8	5-3/16	7-5/32	7-7/16	7-13/16	8-11/32	9-15/16	11-1/32	---	16¼	---

Boss-Lock Type B Couplers

Features:

- All Boss-Lock couplers are supplied with safety clips.
- Couplers are supplied standard with a Buna-N gasket. Other gasket types are available on pages 49-50.

Size	356T6 Aluminum Part #	Brass Part #	Plated Malleable Iron Part #	316 Stainless Steel Part #
3/4" x 1/2"	---	---	---	RB050BL
3/4"	---	BB075	---	RB075BL
1"	AB100	BB100	IB100	RB100BL
1 1/4"	AB125	BB125	---	RB125BL
1 1/2"	AB150	BB150	---	RB150BL
2"	AB200	BB200	IB200	RB200BL
2 1/2"	AB250	BB250	---	---
3"	AB300	BB300	---	RB300BL
4"	AB400	BB400	---	RB400BL
6"	AB600	---	---	---



356T6 aluminum, brass and iron dimensions

Size	3/4" x 1/2"	3/4"	1"	1 1/4"	1 1/2"	2"	2 1/2"	3"	4"	5"	6"	8"
A overall length	2 1/4	2-5/16	2-17/32	3-5/32	3-5/32	3-9/32	3-7/8	4	4-1/16	---	4-23/32	---
B coupler length	1-5/16	1 1/2	1-17/32	1-29/32	1-29/32	2-7/32	2 1/4	2-5/16	2-5/16	---	2-19/32	---
C distance across safety lugs	2-19/32	2-19/32	2-29/32	3-5/8	3-29/32	4-5/16	4-13/16	5-9/16	6-11/16	---	9-5/8	---
D distance across open cam arms	5-13/32	5-13/32	5-9/16	7-15/32	7-25/32	8-5/32	8-21/32	9-29/32	11	---	16-5/32	---

316 stainless steel dimensions

Size	3/4" x 1/2"	3/4"	1"	1 1/4"	1 1/2"	2"	2 1/2"	3"	4"	5"	6"	8"
A overall length	2-5/16	2 1/4	2-9/16	3-3/16	3-7/32	3 3/4	---	3-15/16	4-1/16	---	---	---
B coupler length	1-5/16	1-5/16	1-9/16	1-29/32	1-29/32	2-3/16	---	2-5/16	2-5/16	---	---	---
C distance across safety lugs	2-25/32	2-25/32	2-29/32	3-5/8	3-29/32	4-5/16	---	5-9/16	6-11/16	---	---	---
D distance across open cam arms	5-13/32	5-13/32	5-9/16	7-15/32	7-25/32	8-5/32	---	9-29/32	11	---	---	---

EZ Boss-Lock Type B Couplers

Features:

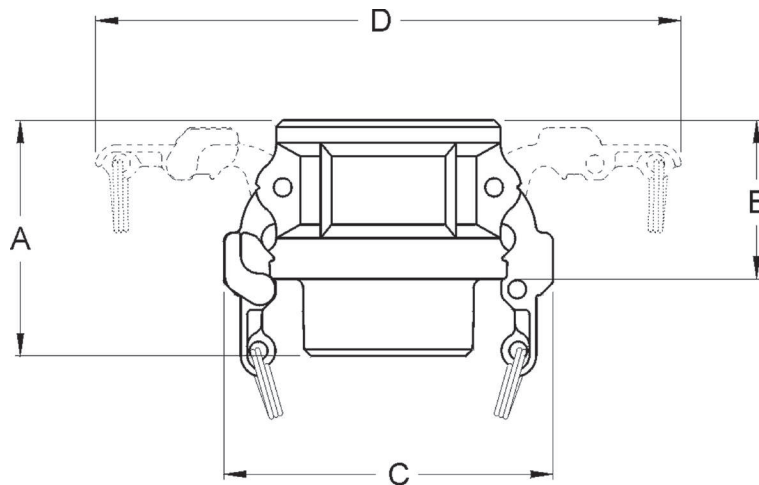
- Couplers are supplied standard with a Buna-N gasket. Other gasket types are available on pages 49-50.



• Under no circumstances should the EZ Boss-Lock cam arms be used on any fitting not specifically designed for their use. See pages 4-5 for further specifications.



Size	356T6 Aluminum Part #	Brass Part #	316 Stainless Steel Part #
3/4" x 1/2"	---	---	RB050EZ
3/4"	---	BB075EZ	RB075EZ
1"	AB100EZ	BB100EZ	RB100EZ
1 1/4"	---	BB125EZ	RB125EZ
1 1/2"	AB150EZ	BB150EZ	RB150EZ
2"	AB200EZ	BB200EZ	RB200EZ
3"	AB300EZ	BB300EZ	RB300EZ
4"	AB400EZ	BB400EZ	RB400EZ
6"	---	---	RB600EZ



356T6 aluminum, brass and iron dimensions

Size	3/4" x 1/2"	3/4"	1"	1 1/4"	1 1/2"	2"	2 1/2"	3"	4"	5"	6"	8"
A overall length	---	2-5/16	2-17/32	3-5/32	3-5/32	3-9/32	---	4	4-1/16	---	---	---
B coupler length	---	1 1/2	1-17/32	1-29/32	1-29/32	2-7/32	---	2-5/16	2-5/16	---	---	---
C distance across closed cam arms	---	3-3/32	3/4	3-29/32	4-7/32	4-19/32	---	5-27/32	6-27/32	---	---	---
D distance across open cam arms	---	6-7/32	6-11/32	7-15/32	7-25/32	8-5/32	---	9-29/32	11	---	---	---

316 stainless steel dimensions

Size	3/4" x 1/2"	3/4"	1"	1 1/4"	1 1/2"	2"	2 1/2"	3"	4"	5"	6"	8"
A overall length	2-5/16	2 1/4	2-9/16	3-3/16	3-7/32	3/4	---	3-15/16	4-1/16	---	4-17/32	---
B coupler length	1-5/16	1-5/16	1-9/16	1-29/32	1-29/32	2-3/16	---	2-5/16	2-5/16	---	2-19/32	---
C distance across closed cam arms	3-3/32	3-3/32	3/4	3-29/32	4-7/32	4-19/32	---	5-27/32	6-27/32	---	10	---
D distance across open cam arms	6-7/32	6-7/32	6-11/32	7-15/32	7-25/32	8-5/32	---	9-29/32	11	---	16-25/32	---

Dixon Type DC Dust Caps

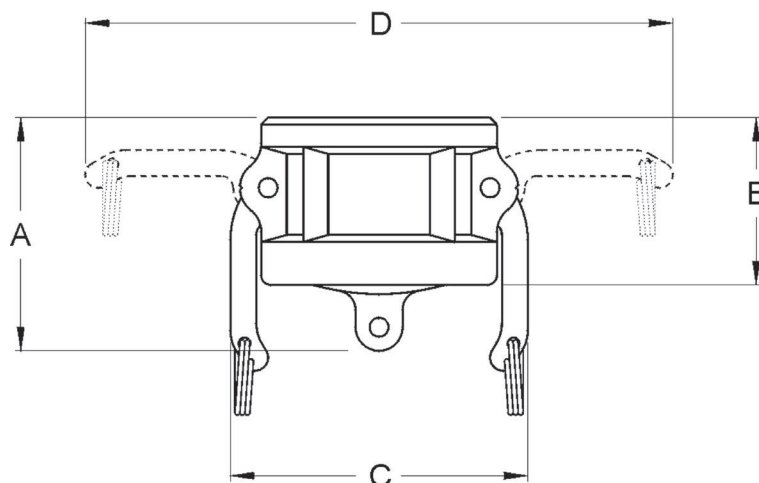
Features:

- Finger rings are not supplied on ½" - 1" Dixon couplings.
- ½" Dixon has only one cam arm.
- Couplers are supplied standard with a Buna-N gasket. Other gasket types are available on pages 49-50.

Size	356T6 Aluminum Part #	Aluminum Hard Coat Part #	Brass Part #	Unplated Malleable Iron Part #	316 Stainless Steel Part #
½"	50-DC-AL	---	50-DC-BR	---	50-DC-SS
¾"	75-DC-AL	---	75-DC-BR	---	75-DC-SS
1"	100-DC-AL	---	100-DC-BR	---	100-DC-SS
1½"	150-DC-AL	150-DC-ALH	150-DC-BR	---	150-DC-SS
2"	200-DC-AL	200-DC-ALH	200-DC-BR	200-DC-MI	200-DC-SS
2½"	250-DC-AL	---	---	---	250-DC-SS
3"	300-DC-AL	300-DC-ALH	300-DC-BR	300-DC-MI	300-DC-SS
4"	400-DC-AL	400-DC-ALH	400-DC-BR	400-DC-MI	400-DC-SS
5"	500-DC-AL	---	500-DC-BR	---	500-DC-SS
6"	600-DC-AL	600-DC-ALH	---	---	600-DC-SS
8"	800-DC-AL ¹	---	---	---	---



¹ Dixon and Boss-Lock cam and groove couplings do not interchange in the 8" and ½" sizes. The 8" Dixon dust cap has 2 cam arms.



356T6 aluminum, brass and iron dimensions

Size	½"	¾"	1"	1½"	2"	2½"	3"	4"	5"	6"	8"
A overall length	1-25/32	2-1/32	2-11/32	2-11/16	3	2-7/8	3-1/8	3-21/32	3½	3-3/16	5-7/16
B coupler length	1-7/32	1-9/32	1-21/32	1-13/16	2-7/32	2-3/16	2¼	2-5/16	2-5/16	2-5/8	3-13/16
C distance across closed cam arms	1-17/32	2-1/8	2-7/16	3-9/16	3-15/16	4-7/16	5-15/32	6-9/16	7-9/16	10-3/32	12-1/32
D distance across open cam arms	2-11/16	4-3/8	5-3/16	7-7/16	7-13/16	8-11/32	10-3/32	11-3/16	12-3/16	16¼	19-31/32

316 stainless steel dimensions

Size	½"	¾"	1"	1½"	2"	2½"	3"	4"	5"	6"	8"
A overall length	1-23/32	1¼	2-3/16	2-13/16	3-3/32	3-1/16	3-1/8	3-17/32	3-3/8	3¾	---
B coupler length	1-7/32	1¼	1-9/16	1-29/32	2-7/32	2¼	2-9/32	2-9/32	2-7/16	2-19/32	---
C distance across closed cam arms	1-17/32	2-1/8	2-7/16	3-9/16	3-15/16	4-7/16	5-15/32	6-9/16	7-9/16	10-3/32	---
D distance across open cam arms	2-11/16	4-3/8	5-3/16	7-7/16	7-13/16	8-11/32	9-15/16	11-1/32	12-3/16	16¼	---

Boss-Lock Type H Dust Caps

Features:

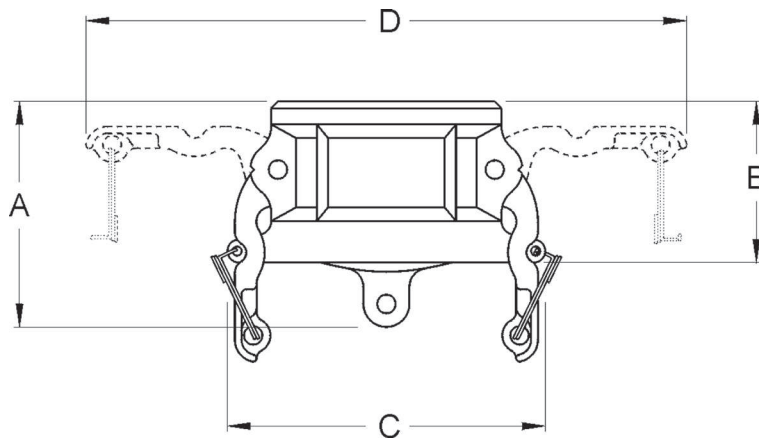
- All Boss-Lock couplers are supplied with safety clips.
- Couplers are supplied standard with a Buna-N gasket. Other gasket types are available on pages 49-50.



Size	356T6 Aluminum Part #	Brass Part #	Plated Malleable Iron Part #	316 Stainless Steel Part #
¾"	---	---	---	RH075BL
1"	AH100	BH100	---	RH100BL
1¼"	AH125	BH125	---	RH125BL
1½"	AH150	BH150	IH150	RH150BL
2"	AH200	BH200	IH200	RH200BL
2½"	AH250	BH250	---	---
3"	AH300	BH300	IH300	RH300BL
4"	AH400	BH400	IH400	RH400BL
6"	AH600	BH600	IH600	---
8"	AH800 ¹	---	---	---



¹ Dixon and Boss-Lock cam and groove couplings *do not interchange in the 8" and ½" sizes*. The 8" Boss-Lock design has 2 cam arms.



356T6 aluminum, brass and iron dimensions

Size	¾"	1"	1¼"	1½"	2"	2½"	3"	4"	5"	6"	8"
A overall length	---	2-7/32	2¾	2-15/16	3-1/16	3-7/32	3-1/8	3-11/32	---	3-29/32	4-9/16
B coupler length	---	1-9/16	1-29/32	1-29/32	2-3/16	2¼	2-5/16	2-5/16	---	2-5/8	2-13/16
C distance across safety lugs	---	2-29/32	3-5/8	3-29/32	4-5/16	4-13/16	5-9/16	6-11/16	---	9-5/8	11-5/8
D distance across open cam arms	---	5-9/16	7-15/32	7-25/32	8-5/32	8-21/32	9-29/32	11	---	16-5/32	18-5/32

316 stainless steel dimensions

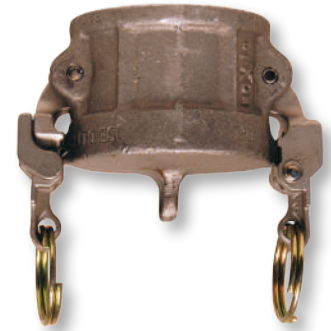
Size	¾"	1"	1¼"	1½"	2"	2½"	3"	4"	5"	6"	8"
A overall length	1-15/16	2-3/16	2¾	2-13/16	3-1/16	---	3-1/8	3-19/32	---	---	---
B coupler length	1-5/16	1-9/16	1-29/32	1-29/32	2-3/16	---	2-9/32	2-5/16	---	---	---
C distance across safety lugs	2-25/32	2-29/32	3-5/8	3-29/32	4-5/16	---	5-9/16	6-11/16	---	---	---
D distance across open cam arms	5-13/32	5-9/16	7-15/32	7-25/32	8-5/32	---	9-29/32	11	---	---	---

EZ Boss-Lock Type H Dust Caps

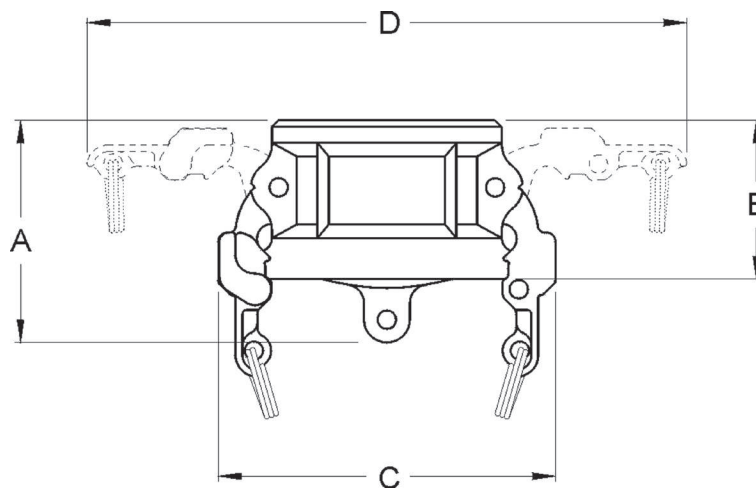
Feature:

- Couplers are supplied standard with a Buna-N gasket. Other gasket types are available on pages 49-50.

Size	356T6 Aluminum Part #	Brass Part #	316 Stainless Steel Part #
¾"	---	---	RH075EZ
1"	AH100EZ	BH100EZ	RH100EZ
1¼"	---	---	RH125EZ
1½"	AH150EZ	BH150EZ	RH150EZ
2"	AH200EZ	BH200EZ	RH200EZ
2½"	AH250EZ	---	---
3"	AH300EZ	BH300EZ	RH300EZ
4"	AH400EZ	---	RH400EZ
6"	AH600EZ	---	RH600EZ



- Under no circumstances should the EZ Boss-Lock cam arms be used on any fitting not specifically designed for their use. See pages 4-5 for further specifications.
- Dust caps and dust plugs are not to be used in pressure applications for safety and environmental reasons.



356T6 aluminum, brass and iron dimensions

Size	¾"	1"	1¼"	1½"	2"	2½"	3"	4"	5"	6"	8"
A overall length	---	2-7/32	---	2-15/16	3-1/16	3-7/32	3-1/8	3-3/8	---	3-29/32	---
B coupler length	---	1-9/16	---	1-29/32	2-3/16	2¼	2-5/16	2-5/16	---	2-5/8	---
C distance across closed cam arms	---	¾	---	4-7/32	4-19/32	5-3/32	5-27/32	6-27/32	---	10	---
D distance across open cam arms	---	6-11/32	---	7-25/32	8-5/32	8-21/32	9-29/32	11	---	16-25/32	---

316 stainless steel dimensions

Size	¾"	1"	1¼"	1½"	2"	2½"	3"	4"	5"	6"	8"
A overall length	1-15/16	2-3/16	2¼	2-13/16	3-1/16	---	3-1/8	3-19/32	---	3¾	---
B coupler length	1-5/16	1-9/16	1-29/32	1-29/32	2-3/16	---	2-9/32	2-5/16	---	2-19/32	---
C distance across closed cam arms	3-3/32	¾	3-29/32	4-7/32	4-19/32	---	5-27/32	6-27/32	---	9-5/8	---
D distance across open cam arms	6-7/32	6-11/32	7-15/32	7-25/32	8-5/32	---	9-29/32	11	---	16-25/32	---

Global Cam and Groove

Features:

- interchange with all products produced to A-A-59326D
- made to Dixon specifications and branded Dixon
- Buna seals are standard
- pressure rating for adapters is based on the seal of the mating part



• *Dust caps and dust plugs are not to be used in pressure applications for safety and environmental reasons*



Global Type A Adapters

Size	A380 Permanent Mold AL Part #	ASTMC38000 Forged Brass Part #	316 Investment Cast SS Part #
1/2"	G50-A-AL ¹	G50-A-BR ¹	G50-A-SS
3/4"	G75-A-AL	G75-A-BR	G75-A-SS
1"	G100-A-AL	G100-A-BR	G100-A-SS
1 1/4"	G125-A-AL	G125-A-BR	G125-A-SS
1 1/2"	G150-A-AL	G150-A-BR	G150-A-SS
2"	G200-A-AL	G200-A-BR	G200-A-SS
2 1/2"	G250-A-AL	G250-A-BR	G250-A-SS
3"	G300-A-AL	G300-A-BR	G300-A-SS
4"	G400-A-AL	G400-A-BR	G400-A-SS
5"	G500-A-AL ¹	G500-A-BR ¹	---
6"	G600-A-AL	---	G600-A-SS
8"	G800-A-AL ¹	---	---

¹ does not interchange in the 1/2", 5", and 8" sizes with Dixon or Boss-Lock style cam and groove

Global Type E Adapters



Size	A380 Permanent Mold AL Part #	ASTMC38000 Forged Brass Part #	316 Investment Cast SS Part #
1/2"	G50-E-AL ¹	G50-E-BR ¹	G50-E-SS
3/4"	G75-E-AL	G75-E-BR	G75-E-SS
1"	G100-E-AL	G100-E-BR	G100-E-SS
1 1/4"	G125-E-AL	G125-E-BR	G125-E-SS
1 1/2"	G150-E-AL	G150-E-BR	G150-E-SS
2"	G200-E-AL	G200-E-BR	G200-E-SS
2 1/2"	G250-E-AL	G250-E-BR	G250-E-SS
3"	G300-E-AL	G300-E-BR	G300-E-SS
4"	G400-E-AL	G400-E-BR	G400-E-SS
5"	G500-E-AL ¹	G500-E-BR ¹	---
6"	G600-E-AL	---	G600-E-SS
8"	G800-E-AL ¹	---	---

¹ does not interchange in the 1/2", 5", and 8" sizes with Dixon or Boss-Lock style cam and groove

Global Type F Adapters



Size	A380 Permanent Mold AL Part #	ASTMC38000 Forged Brass Part #	316 Investment Cast SS Part #
1/2"	G50-F-AL ¹	G50-F-BR ¹	G50-F-SS
3/4"	G75-F-AL	G75-F-BR	G75-F-SS
1"	G100-F-AL	G100-F-BR	G100-F-SS
1 1/4"	G125-F-AL	G125-F-BR	G125-F-SS
1 1/2"	G150-F-AL	G150-F-BR	G150-F-SS
2"	G200-F-AL	G200-F-BR	G200-F-SS
2 1/2"	G250-F-AL	G250-F-BR	G250-F-SS
3"	G300-F-AL	G300-F-BR	G300-F-SS
4"	G400-F-AL	G400-F-BR	G400-F-SS
5"	G500-F-AL ¹	G500-F-BR ¹	---
6"	G600-F-AL	---	G600-F-SS

¹ does not interchange in the 1/2" and 5" sizes with Dixon or Boss-Lock style cam and groove

Global Type DP Dust Plugs

Size	A380 Permanent Mold AL Part #	ASTMC38000 Forged Brass Part #	316 Investment Cast SS Part #
½"	G50-DP-AL ¹	G50-DP-BR ¹	G50-DP-SS
¾"	G75-DP-AL	G75-DP-BR	G75-DP-SS
1"	G100-DP-AL	G100-DP-BR	G100-DP-SS
1¼"	G125-DP-AL	G125-DP-BR	G125-DP-SS
1½"	G150-DP-AL	G150-DP-BR	G150-DP-SS
2"	G200-DP-AL	G200-DP-BR	G200-DP-SS
2½"	G250-DP-AL	G250-DP-BR	G250-DP-SS
3"	G300-DP-AL	G300-DP-BR	G300-DP-SS
4"	G400-DP-AL	G400-DP-BR	G400-DP-SS
5"	G500-DP-AL ¹	G500-DP-BR ¹	---
6"	G600-DP-AL	---	G600-DP-SS



¹ does not interchange in the ½" and 5" sizes with Dixon or Boss-Lock style cam and groove

Global Type B Couplers

Size	A380 Permanent Mold AL with Brass Handles Part #	ASTMC38000 Forged Brass Part #	316 Investment Cast Stainless Steel Part #	A380 Permanent Mold AL with SS Handles Part #
½"	G50-B-AL ^{1,2}	G50-B-BR ¹	G50-B-SS	---
¾"	G75-B-AL ²	G75-B-BR	G75-B-SS	---
1"	G100-B-AL	G100-B-BR	G100-B-SS	---
1¼"	G125-B-AL	G125-B-BR	G125-B-SS	---
1½"	G150-B-AL	G150-B-BR	G150-B-SS	G150-B-ALSI
2"	G200-B-AL	G200-B-BR	G200-B-SS	G200-B-ALSI
2½"	G250-B-AL	G250-B-BR	G250-B-SS	---
3"	G300-B-AL	G300-B-BR	G300-B-SS	G300-B-ALSI
4"	G400-B-AL	G400-B-BR	G400-B-SS	G400-B-ALSI
5"	G500-B-AL ¹	G500-B-BR ¹	---	---
6"	G600-B-AL	---	G600-B-SS	---



¹ does not interchange in the ½" and 5" sizes with Dixon or Boss-Lock style cam and groove

² supplied with stainless steel handles

Global Type C Couplers

Size	A380 Permanent Mold AL with Brass Handles Part #	ASTMC38000 Forged Brass Part #	316 Investment Cast Stainless Steel Part #	A380 Permanent Mold AL with SS Handles Part #
½"	G50-C-AL ^{1,2}	G50-C-BR ¹	G50-C-SS	---
¾"	G75-C-AL ²	G75-C-BR	G75-C-SS	---
1"	G100-C-AL	G100-C-BR	G100-C-SS	---
1¼"	G125-C-AL	G125-C-BR	G125-C-SS	---
1½"	G150-C-AL	G150-C-BR	G150-C-SS	G150-C-ALSI
2"	G200-C-AL	G200-C-BR	G200-C-SS	G200-C-ALSI
2½"	G250-C-AL	G250-C-BR	G250-C-SS	---
3"	G300-C-AL	G300-C-BR	G300-C-SS	G300-C-ALSI
4"	G400-C-AL	G400-C-BR	G400-C-SS	G400-C-ALSI
5"	G500-C-AL ¹	G500-C-BR ¹	---	---
6"	G600-C-AL	---	G600-C-SS	---
8"	G800-C-AL ¹	---	---	---



¹ does not interchange in the ½", 5", and 8" sizes with Dixon or Boss-Lock style cam and groove

² supplied with stainless steel handles

Global Type D Couplers



Size	A380 Permanent Mold AL with Brass Handles Part #	ASTMC38000 Forged Brass Part #	316 Investment Cast SS Part #	A380 Permanent Mold AL with SS Handles Part #
1/2"	G50-D-AL ^{1,2}	G50-D-BR ¹	G50-D-SS	---
3/4"	G75-D-AL ²	G75-D-BR	G75-D-SS	---
1"	G100-D-AL	G100-D-BR	G100-D-SS	---
1 1/4"	G125-D-AL	G125-D-BR	G125-D-SS	---
1 1/2"	G150-D-AL	G150-D-BR	G150-D-SS	G150-D-ALSI
2"	G200-D-AL	G200-D-BR	G200-D-SS	G200-D-ALSI
2 1/2"	G250-D-AL	G250-D-BR	G250-D-SS	---
3"	G300-D-AL	G300-D-BR	G300-D-SS	G300-D-ALSI
4"	G400-D-AL	G400-D-BR	G400-D-SS	G400-D-ALSI
5"	G500-D-AL ¹	G500-D-BR ¹	---	---
6"	G600-D-AL	---	G600-D-SS	---

¹ does not interchange in the 1/2" and 5" sizes with Dixon or Boss-Lock style cam and groove
² stainless steel handles

Global Type DC Dust Caps



Size	A380 Permanent Mold AL with Brass Handles Part #	ASTMC38000 Forged Brass Part #	316 Investment Cast SS Part #	A380 Permanent Mold AL with SS Handles Part #
1/2"	G50-DC-AL ^{1,2}	G50-DC-BR ¹	G50-DC-SS	---
3/4"	G75-DC-AL ²	G75-DC-BR	G75-DC-SS	---
1"	G100-DC-AL	G100-DC-BR	G100-DC-SS	---
1 1/4"	G125-DC-AL	G125-DC-BR	G125-DC-SS	---
1 1/2"	G150-DC-AL	G150-DC-BR	G150-DC-SS	G150-DC-ALSI
2"	G200-DC-AL	G200-DC-BR	G200-DC-SS	G200-DC-ALSI
2 1/2"	G250-DC-AL	G250-DC-BR	G250-DC-SS	---
3"	G300-DC-AL	G300-DC-BR	G300-DC-SS	G300-DC-ALSI
4"	G400-DC-AL	G400-DC-BR	G400-DC-SS	G400-DC-ALSI
5"	G500-DC-AL ¹	G500-DC-BR ¹	---	---
6"	G600-DC-AL	---	G600-DC-SS	---

¹ does not interchange in the 1/2" and 5" sizes with Dixon or Boss-Lock style cam and groove
² stainless steel handles

Replacement Handle Assemblies for Global Couplers

For Aluminum and Brass Global Couplers

Feature:

- supplied complete with ring and pin



Fits on sizes	Investment Stainless Part #
3/4"	G75HRP
1"	G100HRP
1 1/2" and 2"	G152HRPSI
3" and 4"	G34HRPSI
6"	G600HRPSI



Fits on sizes	Forged Brass Part #
1 1/4" - 2 1/2"	G152HRP
3" and 4"	G34HRP
6" and 8"	G600HRP

For Stainless Steel Global Couplers



Fits on sizes	Investment Stainless Part #
3/4"	G75HRPSS
1"	G100HRPSS
1 1/4" - 2 1/2"	G125250HRPSS
3" and 4"	G300400HRPSS
6"	G600HRPSS

Safety Clip for Global Couplers

Zinc Plated Carbon Steel
Part #

GSAFETYCLIP



Global Type DD Spool Couplers

Size	A380 Permanent Mold AL Part #	316 Investment Cast SS Part #
2"	G200-DD-AL	G200-DD-SS
3"	G300-DD-AL	G300-DD-SS
4"	G400-DD-AL	---



Global Type AA Spool Couplers

Size	A380 Permanent Mold AL Part #	316 Investment Cast SS Part #
1"	G100-AA-AL	---
1½"	G150-AA-AL	---
2"	G200-AA-AL	G200-AA-SS
3"	G300-AA-AL	G300-AA-SS
4"	G400-AA-AL	---

jump size male spool adapter

Size	A380 Permanent Mold Aluminum Part #
1½" x 2"	G1520-AA-AL
2" x 3"	G2030-AA-AL
3" x 4"	G3040-AA-AL



Global Jump Size Cam and Groove

male adapter x female NPT

Size	A380 Permanent Mold Aluminum Part #
3" x 2"	G3020-A-AL
4" x 3"	G4030-A-AL



female coupler x hose shank

Size	A380 Permanent Mold Aluminum Part #
3" x 2"	G3020-C-AL
4" x 3"	G4030-C-AL



female coupler x male adapter

Size	A380 Permanent Mold Aluminum Part #
3" x 2"	G3020-DA-AL
4" x 3"	G4030-DA-AL
5" x 4"	G5040-DA-AL

male adapter x hose shank

Size	A380 Permanent Mold Aluminum Part #
3" x 2"	G3020-E-AL
4" x 3"	G4030-E-AL



Polypropylene Adapters



NOT recommended for use with PTFE gaskets

Features:

- manufactured from a glass-filled polypropylene
- maximum operating pressure: **125 PSI** (1/2" - 1"), **100 PSI** (1 1/4" - 2") and **75 PSI** (3" - 4"); recommendations based on the use of mating Dixon fittings at an ambient temperature of **70°F** with standard seal installed
- 1/2" couplers and adapters will interchange with 3/4" couplers and adapters, only the threads and barbs are 1/2"
- 1 1/4" couplers and adapters will interchange with 1 1/2" couplers and adapters, only the threads and barbs are 1 1/4"
- polypropylene cam and groove should not be mixed with metal fittings



male adapter x female NPT

type A		
Size	Polypropylene Part #	Opt Qty
3/4" x 1/2"	PPA50	24
3/4"	PPA75	24
1"	PPA100	24
1 1/2" x 1 1/4"	PPA125	24
1 1/2"	PPA150	24
2"	PPA200	24
3"	PPA300	24
4"	PPA400	8



male adapter x male NPT

type F		
Size	Polypropylene Part #	Opt Qty
3/4" x 1/2"	PPF50	24
3/4"	PPF75	24
1"	PPF100	24
1 1/2" x 1 1/4"	PPF125	24
1 1/2"	PPF150	24
2"	PPF200	24
3"	PPF300	24
4"	PPF400	8



male adapter x hose shank

type E		
Size	Polypropylene Part #	Opt Qty
3/4" x 1/2"	PPE50	24
3/4"	PPE75	24
1"	PPE100	24
1 1/2" x 1 1/4"	PPE125	24
1 1/2"	PPE150	24
2"	PPE200	24
3"	PPE300	24
4"	PPE400	8



dust plug



4" plug has a different design²

type P ¹		
Size	Polypropylene Part #	Opt Qty
3/4"	PPP75	24
1"	PPP100	24
1 1/2"	PPP150	24
2"	PPP200	24
3"	PPP300	24
4"	PPP400	8

¹ Dust caps and dust plugs are not to be used in pressure applications for safety and environmental reasons.

Polypropylene Adapter Elbows

Features:

- maximum operating pressure: **100 PSI** (1 1/2" - 2"); recommendations based on the use of mating Dixon fittings at an ambient temperature of **70°F** with standard seal installed
- manufactured from a glass-filled polypropylene
- for use at elevated temperatures or other unusual operating conditions, consult Dixon



90° Elbow x FNPT		
Size	Polypropylene Part #	Opt Qty
1 1/2"	90PPA150	24
2"	90PPA200	24



90° Elbow x MNPT		
Size	Polypropylene Part #	Opt Qty
1 1/2"	90PPF150	24
2"	90PPF200	24

Polypropylene Couplers



NOT recommended for use with PTFE gaskets

Features:

- manufactured from a glass-filled polypropylene
- supplied with EPDM gaskets, 304 stainless steel handles and pins
- polypropylene cam and groove should not be mixed with metal fittings
- maximum operating pressure: **125 PSI** (1/2" - 1"), **100 PSI** (1 1/4" - 2") and **75 PSI** (3" - 4"); recommendations based on the use of mating Dixon fittings at an ambient temperature of **70°F** with standard seal installed
- 1/2" couplers and adapters will interchange with 3/4" couplers and adapters, only the threads and barbs are 1/2"
- 1 1/4" couplers and adapters will interchange with 1 1/2" couplers and adapters, only the threads and barbs are 1 1/4"

type D

Size	Polypropylene Part #	Opt Qty
3/4" x 1/2"	PPD50	24
3/4"	PPD75	24
1"	PPD100	24
1 1/2" x 1 1/4"	PPD125	24
1 1/2"	PPD150	24
2"	PPD200	24
3"	PPD300	24
4"	PPD400²	8



female coupler x female NPT

type B

Size	Polypropylene Part #	Opt Qty
3/4" x 1/2"	PPB50	24
3/4"	PPB75	24
1"	PPB100	24
1 1/2" x 1 1/4"	PPB125	24
1 1/2"	PPB150	24
2"	PPB200	24
3"	PPB300	24
4"	PPB400²	8



female coupler x male NPT

type C

Size	Polypropylene Part #	Opt Qty
3/4" x 1/2"	PPC50	24
3/4"	PPC75	24
1"	PPC100	24
1 1/2" x 1 1/4"	PPC125	24
1 1/2"	PPC150	24
2"	PPC200	24
3"	PPC300	24
4"	PPC400²	8



female coupler x hose shank

type H¹

Size	Polypropylene Part #	Opt Qty
3/4"	PPH75	24
1"	PPH100	24
1 1/2"	PPH150	24
2"	PPH200	24
3"	PPH300	24
4"	PPH400²	8



dust cap

4" cap has 3 handles²

locking handle pictured is only available in 1 1/4" thru 2"



¹ Dust caps and dust plugs are not to be used in pressure applications for safety and environmental reasons.

² 4" coupler has 3 handles

Polypropylene Coupler Elbows

Features:

- manufactured from a glass-filled polypropylene
- supplied with EPDM gaskets, 304 stainless steel handles and pins
- maximum operating pressure: **100 PSI** (1 1/2" - 2"); recommendations based on the use of mating Dixon fittings at an ambient temperature of **70°F** with standard seal installed
- for use at elevated temperatures or other unusual operating conditions, consult Dixon.

FNPT x 90° Elbow

Size	Polypropylene Part #	Opt Qty
1 1/2"	90PPD150	24
2"	90PPD200	24



Hose Shank x 90° Elbow

Size	Polypropylene Part #	Opt Qty
1 1/2"	90PPC150	24
2"	90PPC200	24



Replacement Parts for Polypropylene Cam & Groove Handles



1¼", 1½", 2"



½", ¾", 1", 3", 4"

Used on sizes	430 Stainless Steel Part #
½"	61594
¾"	61594
1"	61594
1¼"	61595
1½"	61595
2"	61595
3"	61596
4"	61596

Gaskets



Used on sizes	EPDM Part #
½"	61570
¾"	61570
1"	61571
1¼"	61572
1½"	61572
2"	61574
3"	61575
4"	62797

Key Rings



Used on sizes	304 Stainless Steel Part #
½"	61589
¾"	61589
1"	61589
1¼"	61589
1½"	61589
2"	61589
3"	61589
4"	61589

Cam Handle Pins



Used on sizes	304 Stainless Steel Part #
½"	61582
¾"	61582
1"	61582
1¼"	61585
1½"	61585
2"	61585
3"	61584
4"	61584

Safety Clips



Used on sizes	304 Stainless Steel Part #
1¼"	63545
1½"	63545
2"	63545

Swaged Cam and Groove

Applications:

- Developed specifically for chemical transport hoses having Crosslinked Polyethylene (XLPE) or Ultra High Molecular Weight Polyethylene (UHMW) tubes. Swaged Boss-Lock provides you with a permanently attached cam and groove fitting when superior coupling retention is required.

Features:

- in testing tank transport hoses from a wide variety of manufacturers, the swaged Boss-Lock fitting proved itself to be the clear winner in overall performance
- also available on special order for other sizes or hose OD's, consult the factory for pricing and availability
- special equipment required for installation*, consult Dixon for more information

EZ Boss-Lock type C coupler x hose shank with ferrule

Size	Hose OD		316 Stainless Steel Part #
	from	to	
3/4"	1-6/64"	1-22/64"	RC075EZ-70
1"	1-29/64"	1-35/64"	RC100EZ-20
1"	1-36/64"	1-44/64"	RC100EZ-70



Boss-Lock type E adapter a hose shank with ferrule

Size	Hose OD		316 Stainless Steel Part #
	from	to	
3/4"	1-6/64"	1-22/64"	RE075-1370
1"	1-29/64"	1-35/64"	RE100-1620
1"	1-36/64"	1-44/64"	RE100-1770



Notched Ferrules

Size	Hose OD		304 Stainless Steel Part #
	from	to	
1 1/2"	1-60/64"	2-12/64"	GAS2334NO
1 1/2"	2-4/64"	2-22/64"	GAS2370NO
2"	2-30/64"	2-44/64"	GAS2709NO
2"	2-42/64"	2-54/64"	GAS2885NO
3"	3-30/64"	3-46/64"	GAS3760NO
3"	3-47/64"	3-54/64"	GAS3885NO
4"	4-40/64"	4-47/64"	GAS5010NO



Dixon stems and ferrules are specifically designed to be used together as a coupling system. Due to differences in dimensions and tolerances for safety reasons, do not use other manufacturer's stems or ferrules with Dixon Holedall products.

Notched Cam and Groove

Features:

- coupling can be removed from a damaged hose by cutting away the ferrule, without necessarily damaging the fitting, *after inspection of the fitting to determine its suitability for reuse*, it can be reinstalled into another hose by using a *new ferrule*
- system allows you to better manage your inventories, you can stock one coupling and two ferrules, and cover the same hose range with less inventory, *you must purchase a fitting and the matching ferrule to create an assembly*
- for use with notched ferrules on previous page



Dixon stems and ferrules are specifically designed to be used together as a coupling system. Due to differences in dimensions and tolerances for safety reasons, do not use other manufacturer's stems or ferrules with Dixon products.

Couplers



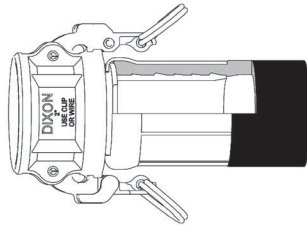
EZ Boss-Lock type C coupler x notched hose shank

Size	316 Stainless Steel Part #
1½"	RC150EZNO
2"	RC200EZNO
3"	RC300EZNO
4"	RC400EZNO



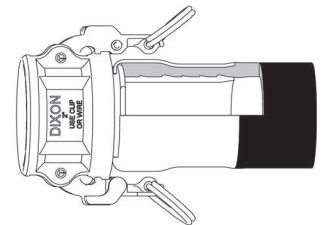
Boss-Lock type C coupler x notched hose shank

Size	316 Stainless Steel Part #
1½"	RC150BLNO
2"	RC200BLNO
3"	RC300BLNO
4"	RC400BLNO



crimped assembly

Contact Dixon for swage and crimp recommendations.



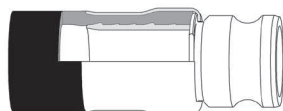
swaged assembly

Adapters

Boss-Lock type E adapter x notched hose shank

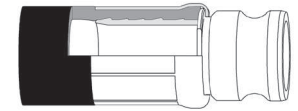


Size	316 Stainless Steel Part #
1½"	RE150NO
2"	RE200NO
3"	RE300NO
4"	RE400NO



swaged assembly

Contact Dixon for swage and crimp recommendations.



crimped assembly

Dixon Cam and Groove with Notched NOS Shank

Features:

- system allows you to better manage your inventories, you can stock one stem and two ferrules, and cover the same hose range with less inventory, *you must purchase a fitting and the matching ferrule to create an assembly*
- for hose outside diameters of 2-4/64" and below, *the couplings are crimp only*
- for hose outside diameters of 2-5/64" and above, the couplings can be crimped or swaged
- for use with notched ferrules at bottom of the page



Only use the NOS shank with the NOS ferrules.

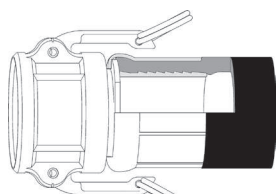
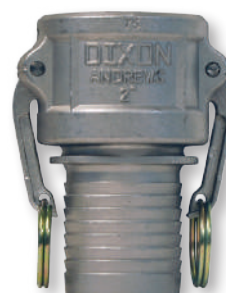
Due to differences in dimensions and tolerances for safety reasons, do not use other manufacturer's stems or ferrules with Dixon products.

Couplers

Dixon type C coupler x notched NOS hose shank

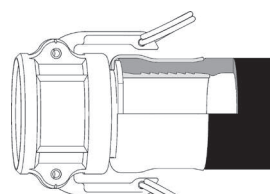
Size	316 Stainless Steel Part #
1½"	150CNOSSS ¹
2"	200CNOSSS
3"	300CNOSSS

¹ part will be discontinued as stock is depleted



crimped assembly

Contact Dixon for swage and crimp recommendations.



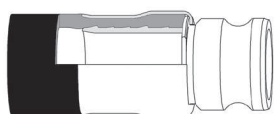
swaged assembly

Adapters

type E adapter x notched NOS hose shank

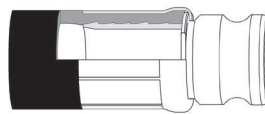
Size	316 Stainless Steel Part #
1½"	150ENOSSS ¹
2"	200ENOSSS
3"	300ENOSSS

¹ part will be discontinued as stock is depleted



swaged assembly

Contact Dixon for swage and crimp recommendations.



crimped assembly

Notched NOS Ferrules

Size	Hose OD		304 Stainless Steel Part #
	from	to	
1½"	1-60/64"	2-12/64"	GAS2334NOS
1½"	2-4/64"	2-22/64"	GAS2370NOS
2"	2-30/64"	2-44/64"	GAS2709NOS
2"	2-42/64"	2-54/64"	GAS2885NOS
3"	3-30/64"	3-46/64"	GAS3760NOS
3"	3-47/64"	3-54/64"	GAS3885NOS



Dixon Tank Car Adapters



Stainless steel adapters are not compatible with the aluminum and brass adapters.

Features:

- standard 5" Railroad Tank Car thread
- supplied with a Buna-N gasket in the threaded end, for additional gaskets see pages 49-50



Size	356T6 Aluminum Part #	Brass Part #	Iron Part #	316 Stainless Steel Part #
2"	200-TCA-AL	---	---	200-TCA-SS
3"	300-TCA-AL	300-TCA-BR	300-TCA-MI	300-TCA-SS
4"	400-TCA-AL	400-TCA-BR	---	400-TCA-SS

Features:

- standard 5" Railroad Tank Car thread
- 45° tank car swivel adapter
- unit has a long handle brass swivel nut and a swivel retaining ring
- supplied with a Buna-N gasket in the threaded end, see next page for other gaskets



Size	356T6 Aluminum Part #
4"	40A-45TCAL

Dixon Railroad Tank Car Connections

Features:

- all swivel nuts have standard 5" Railroad Tank Car thread
- supplied with a Buna-N gasket in the threaded end, other gaskets available on pages 49-50
- also available in other materials and in 2" and 2½" sizes, consult Dixon for pricing and availability

Style A



Stainless steel railroad tank car connections are not compatible with aluminum and brass.



Male Adapter	Swivel Nut	Elbow	316 Stainless Steel Part #
3"	5"	120°	RTCA30
4"	5"	110°	RTCA40¹

Style F

Features:

- 4" TTMA flange can be bolted to sight glass; API adapter or other dry disconnect
- 110° elbow
- supplied with PTFE Buna-N envelope gasket



TTMA Flange	Swivel Nut	Aluminum Part #
4"	5"	ATCF40¹

¹ part is produced as a welded fabrication

Style GF

Features:

- 4" TTMA flange can be bolted to sight glass; API adapter or other dry disconnect
- 110° elbow



TTMA Flange	Boss-lock Coupler	Aluminum Part #
4"	4"	ATCGF40

Style S

Feature:

- 110° elbow



Shank Size	Swivel Nut	Aluminum Part #
4"	5"	ATCS40

Dixon Railroad Tank Car Connections Style T

Features:

- 3" threaded end has a 120° elbow
- 4" threaded end has a 110° elbow

Male NPT	Swivel Nut	Iron Part #	Aluminum Part #
3"	5"	TCT30	ATCT30
4"	5"	TCT40	ATCT40



Style T



Stainless steel railroad tank car connections are not compatible with aluminum and brass.

Features:

- 3" threaded end has a 120° elbow
- 4" threaded end has a 110° elbow

Male NPT	Swivel Nut	316 Stainless Steel Part #
3"	5"	RTCT30
4"	5"	RTCT40



Cam and Groove x Cam and Groove Elbows

Feature:

- supplied standard with a Buna-N gasket, other gaskets available on pages 49-50

45° Elbows

adapter x coupler

Size	356T6 Aluminum Part #	316 Stainless Steel Part #
2"	200DA-45AL ¹	200DA-45SS ¹
3"	300DA-45AL	300DA-45SS ¹
4"	400DA-45AL	400DA-45SS ¹
6"	600DA-45AL	---

¹ parts are produced as a welded fabrication



coupler x coupler

Size	356T6 Aluminum Part #	316 Stainless Steel Part #
2"	200DD-45AL	---
3"	300DD-45AL	300DD-45SS
4"	400DD-45AL	---
6"	600DD-45AL	---

- parts are produced as a welded fabrication



90° Elbows

adapter x coupler

Size	356T6 Aluminum Part #	316 Stainless Steel Part #
1"	---	100DA-90SS ¹
1½"	150DA-90AL ¹	150DA-90SS ¹
2"	200DA-90AL	200DA-90SS
3"	300DA-90AL	300DA-90SS
4"	400DA-90AL	400DA-90SS
5"	500DA-90AL ¹	---
6"	600DA-90AL	RDA90600EZ ^{1,2}

¹ parts are produced as a welded fabrication

² EZ Boss-Lock design (not pictured)



Cam and Groove Elbows

coupler x coupler 90° elbow



Size	356T6 Aluminum Part #	316 Stainless Steel Part #
2"	200DD-90AL	---
3"	300DD-90AL	300DD-90SS
4"	400DD-90AL	---
6"	600DD-90AL	---

- parts are produced as a welded fabrication

Type A

Feature:

- pressure rating is based on the seal of the mating part, see ratings on page 5

male adapter x female NPT 90° elbow



Size	356T6 Aluminum Part #	316 Stainless Steel Part #
1½"	150A-90AL	---
2"	200A-90AL	200A-90SS ¹
3"	300A-90AL	300A-90SS
4"	400A-90AL	---

- Couplers are supplied standard with a Buna-N gasket

Type D

Feature:

- supplied standard with a Buna-N gasket, other gaskets available on pages 49-50

female coupler x female NPT 90° elbow



Size	356T6 Aluminum Part #	Brass Part #	316 Stainless Steel Part #
1"	---	---	100D-90SS
1¼"	---	125D-90BR	---
1½"	150D-90AL	150D-90BR	---
2"	200D-90AL	200D-90BR	200D-90SS
3"	300D-90AL	---	300D-90SS
4"	400D-90AL	---	400D-90SS ¹
4"	AD90400EZ ²	---	---
6"	600D-90AL	---	---

¹ parts are produced as a welded fabrication

² EZ Boss-Lock design (not pictured)

Type E

Feature:

- pressure rating is based on the seal of the mating part, see ratings on page 5

male adapter x hose shank 90° elbow



Size	356T6 Aluminum Part #	316 Stainless Steel Part #
2"	---	200E-90SS ¹
3"	300E-90AL	300E-90SS
4"	400E-90AL	400E-90SS ¹

- ¹ parts are produced as a welded fabrication

Type C

Feature:

- supplied standard with a Buna-N gasket, other gaskets available on pages 49-50

female coupler x hose shank 90° elbow



Size	356T6 Aluminum Part #	Brass Part #	316 Stainless Steel Part #
1¼"	---	125C-90BR	---
½"	150C-90AL	---	150C-90SS
2"	200C-90AL	200C-90BR	200C-90SS
3"	300C-90AL	---	300C-90SS
4"	400C-90AL	---	400C-90SS ¹
6"	600C-90AL	---	---

¹ part is produced as a welded fabrication

Cam and Groove Elbows

Type F

Feature:

- pressure rating is based on the seal of the mating part, see ratings on page 5

male adapter x male NPT 90° elbow

Size	356T6 Aluminum Part #	316 Stainless Steel Part #
1½"	150F-90AL	---
2"	200F90AL	200F-90SS ¹
3"	---	300F-90SS ¹

¹ parts are produced as a welded fabrication



Type B

Feature:

- supplied standard with a Buna-N gasket, other gaskets available on pages 49-50

female coupler x male NPT 90° elbow

Size	356T6 Aluminum Part #	316 Stainless Steel Part #
1½"	150B-90AL	---
2"	200B-90AL	200B-90SS ¹
3"	---	300B-90SS ¹

¹ parts are produced as a welded fabrication



Reducing Cam and Groove Couplings

Type A

Feature:

- pressure rating is based on the seal of the mating part, see ratings on page 5

male adapter x female NPT

Size	356T6 Aluminum Part #	Opt Qty	316 Stainless Steel Part #	Opt Qty
2" x 1½"	2015-A-AL	---	2015-A-SS ¹	--
2" x 3"	2030-A-AL	10	2030-A-SS	10
3" x 2"	3020-A-AL	5	3020-A-SS	10
3" x 4"	3040-A-AL	10	---	--
4" x 3"	4030-A-AL	10	4030-A-SS ¹	--
4" x 6"	4060-A-AL	5	---	--
6" x 4"	6040-A-AL	5	6040-A-SS ¹	--

¹ parts are produced as a welded fabrication



Type D

Feature:

- supplied standard with a Buna-N gasket, other gaskets available on pages 49-50

female coupler x female NPT

Size	356T6 Aluminum Part #	Opt Qty	Brass Part #	316 Stainless Steel Part #
1½" x 1"	1510-D-AL ¹	10	---	1510-D-SS ¹
2" x 1½"	2015-D-AL	10	---	2015-D-SS
3" x 2"	3020-D-AL	10	---	3020-D-SS
4" x 3"	4030-D-AL	10	4030-D-BR	4030-D-SS ¹
5" x 4"	5040-D-AL ¹	---	---	---
6" x 4"	6040-D-AL ¹	---	---	---

¹ parts are produced as a welded fabrication



Reducing Cam and Groove Couplings

In reducing couplings, the cam and groove end is the first size given in the part number i.e., a 4030-B-AL is a 4" coupler to a 3" male NPT).

Type E

Feature:

- pressure rating is based on the seal of the mating part, see ratings on page 5
male adapter x hose shank



Size	356T6 Aluminum Part #	Opt Qty	316 Stainless Steel Part #
1½" x 1"	---	---	1510-E-SS
2" x 1½"	2015-E-AL ¹	---	2015-E-SS ¹
3" x 2"	---	---	3020-E-SS ¹
3" x 2½"	---	---	3025-E-SS
4" x 3"	4030-E-AL	10	4030-E-SS ¹
5" x 4"	5040-E-AL ¹	---	---

¹ parts are produced as a welded fabrication

Type C

Feature:

- supplied standard with a Buna-N gasket, other gaskets available on pages 49-50
female coupler x hose shank



Size	356T6 Aluminum Part #	Opt Qty	316 Stainless Steel Part #
1½" x 1"	---	---	1510-C-SS
2" x 1½"	2015-C-AL ¹	---	2015-C-SS ¹
3" x 2"	3020-C-AL	10	3020-C-SS
3" x 2½"	---	---	3025-C-SS
3" x 4"	3040-C-AL	5	---
4" x 3"	4030-C-AL	5	4030-C-SS ¹
5" x 4"	5040-C-AL ¹	---	---

¹ parts are produced as a welded fabrication

Type F

Feature:

- pressure rating is based on the seal of the mating part, see ratings on page 5
male adapter x male NPT



Size	356T6 Aluminum Part #	Opt Qty	316 Stainless Steel Part #
1½" x 2"	1520-F-AL	---	---
2" x 1½"	2015-F-AL	---	2015-F-SS ¹
2" x 3"	2030-F-AL	---	---
3" x 1½"	3015-F-AL	10	3015-F-SS ¹
3" x 2"	3020-F-AL	10	3020-F-SS
3" x 4"	3040-F-AL	10	---
4" x 3"	4030-F-AL	10	4030-F-SS

¹ parts are produced as a welded fabrication

Type B

Feature:

- supplied standard with a Buna-N gasket, other gaskets available on pages 49-50
female coupler x male NPT



Size	356T6 Aluminum Part #	Opt Qty	316 Stainless Steel Part #
1½" x 1"	1510-B-AL	10	1510-B-SS ¹
2" x 1½"	2015-B-AL	10	2015-B-SS ¹
2" x 3"	2030-B-AL	---	---
3" x 2"	3020-B-AL	10	3020-B-SS ¹
3" x 4"	3040-B-AL	10	---
4" x 3"	4030-B-AL	5	4030-B-SS ¹

¹ parts are produced as a welded fabrication

Dixon Reducing Cam and Groove Couplings

In reducing cam and groove couplings, the coupler is the first size in the part number; (i.e., a 4030-DA-AL is a 4" coupler to a 3" adapter).

Feature:

- supplied standard with a Buna-N gasket, other gaskets available on pages 49-50

coupler x adapter

Size	356T6 Aluminum Part #	Opt Qty	316 Stainless Steel Part #
1" x 1½"	1015-DA-AL ¹	---	1015-DA-SS ¹
1½" x 1"	1510DAAL	---	1510-DA-SS ¹
1½" x 2"	1520-DA-AL	10	1520-DA-SS
2" x 1"	2010-DA-AL ¹	---	2010-DA-SS
2" x 1½"	2015-DA-AL	10	2015-DA-SS
2" x 2½"	2025-DA-AL ¹	---	2025-DA-SS ¹
2" x 3"	2030-DA-AL	5	2030-DA-SS
2" x 4"	2040-DA-AL	---	2040-DA-SS ¹
2½" x 2"	---	---	2520-DA-SS ¹
2½" x 3"	---	---	2530-DA-SS ¹
3" x 1½"	3015-DA-AL	---	3015-DA-SS ¹
3" x 2"	3020-DA-AL	10	3020-DA-SS
3" x 2½"	3025-DA-AL ¹	---	3025-DA-SS ¹
3" x 4"	3040-DA-AL	5	3040-DA-SS
3" x 6"	3060-DA-AL ¹	---	3060-DA-SS ¹
4" x 2"	4020-DA-AL	5	4020-DA-SS ¹
4" x 2½"	4025-DA-AL	---	4025-DA-SS ¹
4" x 3"	4030-DA-AL	5	4030-DA-SS
4" x 5"	4050-DA-AL	2	---
4" x 6"	4060-DA-AL	2	4060-DA-SS ¹
5" x 3"	5030-DA-AL ¹	2	5030-DA-SS ¹
5" x 4"	5040-DA-AL	2	5040-DA-SS ¹
5" x 6"	5060-DA-AL ¹	---	5060-DA-SS
6" x 3"	6030-DA-AL	2	6030-DA-SS ¹
6" x 4"	6040-DA-AL	2	6040-DA-SS
6" x 5"	6050-DA-AL	---	6050-DA-SS ¹
8" x 6"	8060-DA-AL ^{1,2}	---	---



¹ parts are produced as a welded fabrication
² The 8" coupler only has 2 cam arms and *only interchanges with Dixon adapters.*



3" coupler x 1½" adapter



4" coupler x 6" adapter



3" coupler x 2½" adapter



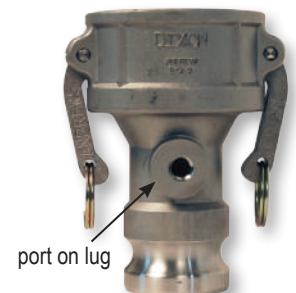
5" coupler x 6" adapter

coupler x adapter

Size	Brass Part #	Opt Qty	Unplated Malleable Iron Part #	Opt Qty
3" x 2"	3020-DA-BR	10	3020-DA-MI	10
3" x 4"	3040-DA-BR	5	---	---
4" x 3"	4030-DA-BR	2	4030-DA-MI	---
6" x 4"	6040-DA-BR	---	6040-DA-MI	---

Reducing Coupler x Adapter with Port

Size	Port	316 Stainless Steel Part #
3" x 2"	¼"	3020DAT25SS
3" x 2"	⅜"	3020DAT38SS
3" x 2"	½"	3020DAT50SS
3" x 2"	¾"	3020DAT75SS



port on lug

Boss-Lock Reducing Cam and Groove Couplings

In reducing cam and groove couplings, the coupler is the first size in the part number; (i.e., a ADA4030 is a 4" coupler to a 3" adapter).

Feature:

- supplied standard with a Buna-N gasket, other gaskets available on pages 49-50
- coupler x adapter**



Size	356T6 Aluminum Part #	316 Stainless Steel Part #	Opt Qty
2" x 3"	ADA2030 ¹	RDA2030BL ¹	10
2½" x 2"	ADA2520 ¹	---	--
2½" x 3"	ADA2530 ¹	---	--
3" x 2"	ADA3020	RDA3020BL	10
3" x 4"	ADA3040 ¹	RDA3040BL ¹	10
4" x 2"	ADA4020 ¹	RDA4020BL ¹	10
4" x 3"	ADA4030	RDA4030BL	10
6" x 4"	ADA6040 ¹	---	--
8" x 6"	ADA8060 ^{1,2}	---	--



¹ parts are produced as a welded fabrication

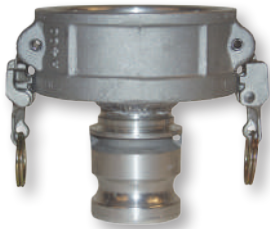
² The 8" coupler *only interchanges with 8" Boss-Lock couplings.*

EZ Boss-Lock Reducing Cam and Groove Couplings

In reducing cam and groove couplings, the coupler is the first size in the part number; (i.e., a ADA4030EZ is a 4" coupler to a 3" adapter).

Feature:

- supplied standard with a Buna-N gasket, other gaskets types available on pages 49-50
- coupler x adapter**



Size	356T6 Aluminum Part #	316 Stainless Steel Part #
2" x 3"	ADA2030EZ ¹	RDA2030EZ ¹
3" x 2"	ADA3020EZ	RDA3020EZ
3" x 4"	ADA3040EZ ¹	RDA3040EZ ¹
4" x 2"	ADA4020EZ ¹	RDA4020EZ ¹
4" x 3"	ADA4030EZ	RDA4030EZ
6" x 4"	ADA6040EZ ¹	RDA6040EZ

¹ parts are produced as a welded fabrication

Dixon Lockable Dust Caps

Features:

- supplied standard with a Buna-N gasket, other gaskets available on pages 49-50
- Dust caps and dust plugs are not to be used in pressure applications for safety and environmental reasons.



Size	356T6 Aluminum Part #	Opt Qty	Brass Part #	Opt Qty
1½"	150DC-LAL	10	150DC-LBR	10
2"	200DC-LAL	10	200DC-LBR	10
3"	300DC-LAL	10	300DC-LBR	10
4"	400DC-LAL	10	---	---
6"	600DC-LAL	2	---	--

Feature:

- angled, ergonomic thumb release



Size	316 Stainless Steel Part #
1½"	150DC-LSS
2"	200DC-LSS
3"	300DC-LSS
4"	400DC-LSS

Dixon Spool Adapters

Feature:

- pressure rating is based on the seal of the mating part, see ratings on page 5
adapter x adapter

Size	356T6 Aluminum Part #	316 Stainless Steel Part #
1"	---	100-AA-SS
1¼"	---	125-AA-SS ¹
1½"	150-AA-AL	150-AA-SS
1½" x 2"	1520-AA-AL	1520-AA-SS
2"	200-AA-AL	200-AA-SS
2" x 3"	2030-AA-AL	2030-AA-SS
2" x 4"	2040-AA-AL	2040-AA-SS ¹
2½" x 3"	2530-AA-AL ¹	2530-AA-SS ¹
2½" x 4"	2540-AA-AL ¹	---
3"	300-AA-AL	300-AA-SS
3" x 4"	3040-AA-AL	3040-AA-SS ¹
4"	400-AA-AL	400-AA-SS
4" x 5"	4050-AA-AL	---
4" x 6"	4060-AA-AL	4060-AA-SS ¹
5"	500-AA-AL ¹	500-AA-SS ¹
5" x 6"	5060-AA-AL ¹	---
6"	600-AA-AL	600-AA-SS ¹

Size	Brass Part #
2"	200-AA-BR
3"	300-AA-BR



increaser / reducer



same size

¹ parts are produced as a welded fabrication

Dixon Spool Couplers

Feature:

- supplied standard with a Buna-N gasket, other gaskets available on pages 49-50
coupler x coupler

Size	356T6 Aluminum Part #	316 Stainless Steel Part #
1½"	---	150-DD-SS ¹
2"	200-DD-AL	200-DD-SS
2" x 3"	2030-DD-AL	2030-DD-SS
3"	300-DD-AL	300-DD-SS
3" x 4"	3040-DD-AL	3040-DD-SS ¹
4"	400-DD-AL	400-DD-SS ¹
4" x 5"	4050-DD-AL ¹	4050-DD-SS ¹
4" x 6"	4060-DD-AL ¹	4060-DD-SS
5"	500-DD-AL ¹	500-DD-SS
6"	600-DD-AL ¹	---



increaser / reducer



same size

¹ parts are produced as a welded fabrication

Boss-Lock Spool Couplers

Feature:

- supplied standard with a Buna-N gasket, other gaskets available on pages 49-50
coupler x coupler

Size	356T6 Aluminum Part #	316 Stainless Steel Part #
2"	ADD200 ¹	RDD200EZ
2" x 3"	ADD2030 ¹	RDD2030EZ ¹
3"	ADD300 ¹	RDD300EZ ¹
3" x 4"	ADD3040 ¹	RDD3040EZ ¹
4"	ADD400 ¹	RDD400EZ ¹
6"	---	RDD600EZ ¹



increaser / reducer



same size

¹ parts are produced as a welded fabrication

Adapters and Couplers x 150# Flanged Drilling

Features:

- aluminum and unplated iron flanges are flat faced
- stainless steel flanges are raised face



Dixon adapter x 150# flange

Size	356T6 Aluminum Part #	Flange Thick.	Unplated Malleable Iron Part #	Flange Thick.	316 Stainless Steel Part #	Flange Thick.
1"	---	—	---	—	100-AL-SS	9/16"
1½"	---	—	---	—	150-AL-SS	11/16"
2"	200-AL-AL	3/4"	---	—	200-AL-SS	7/16"
3"	300-AL-AL	5/8"	300-AL-MI	5/8"	300-AL-SS	7/16"
4"	400-AL-AL	5/8"	---	—	400-AL-SS	7/16"
6"	600-AL-AL	5/8"	---	—	600-AL-SS	5/8"
8"	800-AL-AL ¹	1-1/8"	---	—	---	---

¹ part is produced as a welded fabrication

Feature:

- supplied standard with a Buna-N gasket, other gaskets available on pages 49-50

Dixon coupler x 150# flange



Size	356T6 Aluminum Part #	Flange Thickness	316 Stainless Steel Part #	Flange Thickness
1"	---	---	100-DL-SS	21/32"
1½"	---	---	150-DL-SS	25/32"
2"	200-DL-AL	3/4"	200-DL-SS	7/16"
3"	300-DL-AL	15/16"	300-DL-SS	7/16"
4"	400-DL-AL	15/16"	400-DL-SS	7/16"
6"	600-DL-AL	1"	600-DL-SS	5/8"
8"	800-DL-AL ¹	1-1/8"	---	---

¹ part is produced as a welded fabrication

Feature:

- supplied standard with a Buna-N gasket, other gaskets available on pages 49-50

EZ Boss-Lock coupler x 150# flange



Size	316 Stainless Steel Part #	Flange Thickness
1"	RDL100EZ ¹	9/16"
1½"	RDL150EZ ¹	11/16"
2"	RDL200EZ	7/16"
3"	RDL300EZ ¹	7/16"
4"	RDL400EZ ¹	7/16"
6"	RDL600EZ ¹	1"

¹ part is produced as a welded fabrication

In-Line Sight Glass for Bulk Transfer

Application:

- designed for dry bulk transfer hose
- not intended for liquid service, for dry bulk transfer *only*



Features:

- aluminum body, Buna seals, acrylic sight glasses, stainless steel hardware and bronze cam arms (where applicable)



	coupler x adapter	adapter x adapter	coupler x coupler
Size	Part #	Part #	Part #
3" x 3"	3533CA	3533AA	3533CC
3" x 4"	3534CA	3534AA	---
4" x 3"	3543CA	---	3543CC
4" x 4"	3544CA	3544AA	3544CC

Specialty Items

coupler x adapter wye

Size	356T6 Aluminum Part #
2"	200YDAAAL



tank truck flanged tee

Size	356T6 Aluminum Part #
4"	400-TLT-AL



- some parts have a colored anodized surface finish

TTMA Series Flange Adapters

Application:

- provides an easy way to quickly convert threaded components to a standard TTMA flange configuration

Features:

- solid cast lightweight aluminum design is more durable than welded fabrications
- design improves flow through adapter even on the 3" reducer
- compact size reduces the overall space needed to install

Male Threaded

TTMA flange x standard male NPT

TTMA Flange	Male NPT	Aluminum Part #
3"	3"	TTF3AL-3MT
4"	3"	TTF4AL-3MT
4"	4"	TTF4AL-4MT



Extended Length - Male Threaded

TTMA flange x extended length male NPT

TTMA Flange	Male NPT	Aluminum Part #
4"	3"	TTF4AL-3EMT
4"	4"	TTF4AL-4EMT



Female Threaded

TTMA flange x female NPT

TTMA Flange	Female NPT	Aluminum Part #
4"	3"	TTF4AL-3FT
4"	4"	TTF4AL-4FT



Slip-on

TTMA flange x slip-on

TTMA Flange	Pipe Size	Aluminum Part #
4"	4"	TTF400SP



TTMA Flange Extensions



TETF4AL



TETFG4AL

Applications:

- used on load arms to connect an API load coupler to a load arm

Features:

- adds a 6" space between the load arm and the tank truck
- extension with groove provides a specified parting point to prevent excessive damage to the loading arm

Size	Description	Aluminum Part #
4"	TTMA flange extension	TETF4AL
4"	TTMA flange extension with groove	TETFG4AL

Dixon Adapters and Couplers x Round Tank Truck Flange

Features:

- aluminum flanges have a flat face, stainless flanges have a raised face
- pressure rating is based on the seal of the mating part, see ratings on page 5

adapter x round tank truck flange



Size	356T6 Aluminum Part #	316 Stainless Steel Part #
3"	300-ALT-AL	300-ALT-SS ¹
3" x 4"	3040ALTAL	---
4"	400-ALT-AL	400-ALT-SS ¹
6"	600-ALT-AL	---

¹ parts are produced as a welded fabrication

Feature:

- supplied standard with a Buna-N gasket, other gaskets available on pages 49-50

coupler x round tank truck flange



Size	356T6 Aluminum Part #
3"	300-DLT-AL
3" x 4"	3040DLTAL
4"	400-DLT-AL
6"	600-DLT-AL

Dixon 22½° Adapters and Couplers x Round Tank Truck Flange

Feature:

- pressure rating is based on the seal of the mating part, see ratings on page 5

22½° adapter x round tank truck flange



Size	356T6 Aluminum Part #
4"	40022ALTAL

Feature:

- supplied standard with a Buna-N gasket, other gaskets available on pages 49-50

22½° coupler x round tank truck flange



Size	356T6 Aluminum Part #
4"	40022DLTAL

Round Tank Truck Flange Gaskets (TTMA)



Size	OD	ID	Thick.	Material	Part #
3"	5-5/8"	3-1/2"	1/8"	Cork / Buna	300GTTFCB
3"	5-5/8"	3-1/2"	1/16"	PTFE envelope with Klinger filler	300GTTFTK
3"	5-5/8"	3-1/2"	1/8"	Klingsil® C-4401	300GTTFK
3"	5-7/8"	3-1/2"	1/4"	PTFE with fiber core	40321TF
4"	6-5/8"	4-9/16"	1/8"	Cork / Buna	400GTTFCB
4"	6-5/8"	4-9/16"	1/16"	PTFE envelope with Klinger filler	400GTTFTK
4"	6-5/8"	4-9/16"	1/8"	Klingsil® C-4401	400GTTFK
4"	6-7/8"	4-9/16"	1/4"	PTFE with fiber core	40322TF

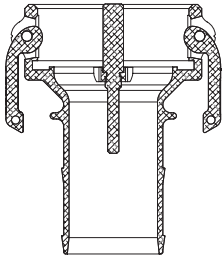
Dixon Vapor Recovery Couplers



• not intended for liquid service, for vapor recovery *only*

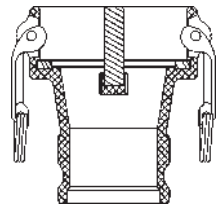
Features:

- cast aluminum body
- bronze arms with stainless steel pins
- plated carbon steel finger rings
- Buna-N gasket



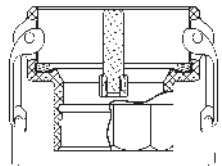
coupler with probe x hose shank

Coupler Size	Hose Shank Size	356T6 Aluminum Part #
4"	3"	4030-CVR-AL
4"	4"	400-CVR-AL



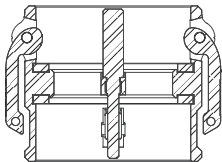
coupler with probe x adapter

Coupler Size	Adapter Size	356T6 Aluminum Part #
4"	3"	4030-DAVR-AL



coupler with probe x female NPT

Coupler Size	Female NPT Size	356T6 Aluminum Part #
4"	3"	4030-DVR-AL
4"	4"	400-DVR-AL



coupler with probe x coupler with probe

Coupler Size	Coupler Size	356T6 Aluminum Part #
4"	4"	400-DDVR-AL



Dixon Bayco Vapor Recovery Couplers

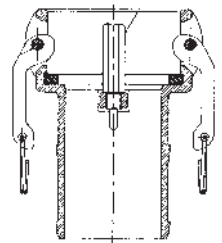


Applications:

- for use with 3" vapor hose
- not intended for liquid service, for vapor recovery *only*

Features:

- cast aluminum body, bronze arms with stainless steel pins and finger rings
- Buna-N gasket
- *Dixon replacement handle assemblies will not work on these fittings, contact Dixon for replacements.*



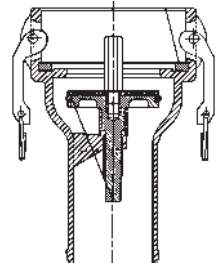
coupler with probe x hose shank

Coupler Size	Hose Shank Size	Aluminum Part #
3"	3"	VRC3000AL



Feature:

- VR4030CS-AL has an FKM O-ring poppet seal



coupler with poppet and probe x hose shank

Coupler Size	Hose Shank Size	Aluminum Part #
4"	3"	VR4030CS-AL¹
4"	4"	VR4040CS-AL



¹ interchanges with all competitor vapor valves *except* Civacon #633LVH (special bulb design).

Dixon Butt Weld to Tube Cam and Groove

Application:

- designed to be butt welded to standard sanitary tubing

Feature:

- investment casting



adapter x butt weld to tube end

Size	316 Stainless Steel Part #
1"	RE100BT
1½"	RE150BT
2"	RE200BT
3"	RE300BT



Boss-Lock coupler x butt weld to tube end

Size	316 Stainless Steel Part #
1"	RC100BT
1½"	RC150BT
2"	RC200BT
3"	RC300BT

Dixon Adapters for Welding

Feature:

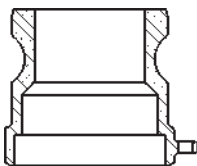


- not all configurations are stocked
- line drawings are for reference only, consult Dixon for specific dimensions
- final weld preparation, as with all weld fittings, is the responsibility of the welder



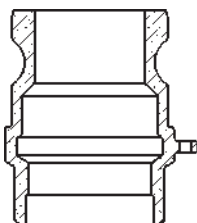
socket weld to schedule 40 pipe

Size	Bore	356T6 Aluminum Part #	316 Stainless Steel Part #
¾"	1.065	---	75AWSPSS
1"	1.330	---	100AWSPSS
1½"	1.915	150AWSPAL	150AWSPSS
2"	2.390	200AWSPAL	200AWSPSS
3"	3.530	300AWSPAL	300AWSPSS
4"	4.530	400AWSPAL	400AWSPSS
5"	5.593	500AWSPAL	500AWSPSS
6"	6.655	600AWSPAL	600AWSPSS
8" DIX	8.711	800AWSPAL ¹	---
8" BL	8.711	801AWSPAL ¹	---



butt weld to schedule 40 pipe / socket weld to nominal OD tubing

Size	Bore	356T6 Aluminum Part #	316 Stainless Steel Part #
¾"	.765	---	75AWBPSTSS
1"	1.015	---	100AWBPSTSS
1½"	1.515	150AWBPSTAL	150AWBPSTSS
2"	2.015	200AWBPSTAL	200AWBPSTSS
3"	3.015	300AWBPSTAL	300AWBPSTSS
4"	4.015	400AWBPSTAL	400AWBPSTSS
5"	5.015	500AWBPSTAL	500AWBPSTSS
6"	6.020	600AWBPSTAL	600AWBPSTSS
8" BL	8.035	801AWBPSTAL ¹	---



¹ Dixon and Boss-Lock cam and groove couplings do not interchange in the 8" size.

Dixon Couplers for Welding

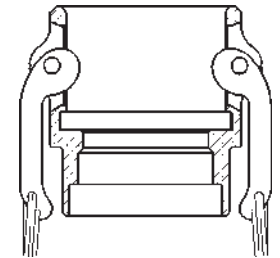
Feature:

- not all configurations are stocked
- Boss-Lock versions are also available, consult Dixon for pricing and availability
- line drawings are for reference only, consult Dixon for specific dimensions
- final weld preparation, as with all weld fittings, is the responsibility of the welder



socket weld to schedule 40 pipe

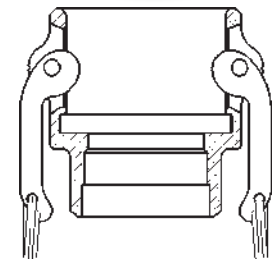
Size	Bore	356T6 Aluminum Part #	316 Stainless Steel Part #
3/4"	1.065	---	75DWSPSS
1"	1.330	100DWSPAL	100DWSPSS
1 1/2"	1.915	150DWSPAL	150DWSPSS
2"	2.390	200DWSPAL	200DWSPSS
3"	3.530	300DWSPAL	300DWSPSS
4"	4.530	400DWSPAL	400DWSPSS
5"	5.562	500DWSPAL	500DWSPSS
6"	6.655	600DWSPAL	600DWSPSS
8"	8.711	800DWSPAL ¹	---



¹ Dixon and Boss-Lock cam and groove couplings *do not interchange in the 8" size*. The 8" Dixon design has 4 cam arms.

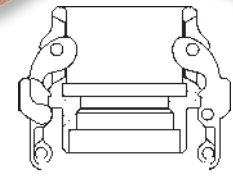
butt weld to schedule 40 pipe / socket weld to nominal OD tubing

Size	Bore	356T6 Aluminum Part #	316 Stainless Steel Part #
3/4"	.765	---	75DWPSTSS
1"	1.015	---	100DWPSTSS
1 1/2"	1.515	150DWPSTAL	150DWPSTSS
2"	2.015	200DWPSTAL	200DWPSTSS
3"	3.015	300DWPSTAL	300DWPSTSS
4"	4.015	400DWPSTAL	400DWPSTSS
5"	5.015	500DWPSTAL	---
6"	6.020	600DWPSTAL	---



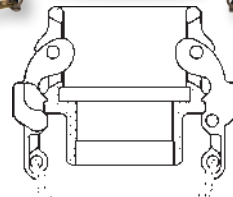
EZ Boss-Lock Couplers for Welding
socket weld to schedule 40 pipe

Size	Bore	316 Stainless Steel Part #
3/4"	1.065	RDWSP075EZ
1"	1.330	RDWSP100EZ
1 1/2"	1.915	RDWSP150EZ
2"	2.390	RDWSP200EZ
3"	3.530	RDWSP300EZ
4"	4.530	RDWSP400EZ
6"	6.655	RDWSP600EZ



butt weld to schedule 40 pipe / socket weld to nominal OD tubing

Size	Bore	316 Stainless Steel Part #
3/4"	.765	RDWBPST075EZ
1"	1.015	RDWBPST100EZ
1 1/2"	1.515	RDWBPST150EZ
2"	2.015	RDWBPST200EZ
3"	3.015	RDWBPST300EZ
4"	4.015	RDWBPST400EZ
6"	6.020	RDWBPST600EZ



Dixon Standard Handle Assemblies

Features:

- stainless steel pins standard with all assemblies
- roll pins are 302 stainless and solid pins are 303 stainless
- pull rings are standard on sizes 1 1/4" thru 6", pull rings are optional on other sizes



Coupler Size	Description	Brass Part #	316 Sintered Stainless Steel Part #	316 Investment Stainless Steel Part #
1/2"	cam arm and pin	---	50-HP-SP	---
3/4"	cam arm and pin	---	75-HP-SP	---
1"	cam arm and pin	---	100-HP-SP	---
1 1/4" - 2 1/2"	cam arm, ring and pin	200-HRP-BR	200-HRP-SP	---
2"	cam arm, ring and pin	---	---	200-HSCRPI-SI
3"	cam arm, ring and pin	---	---	300-HSCRPI-SI
3" - 5"	cam arm, ring and pin	300-HRP-BR	300-HRP-SP	---
6"	cam arm, ring and pin	600-HRP-BR	---	600-HRP-SI
8"	cam arm and pin for new coupler design	800-HNP-BR	---	---

Locking Handle for Dixon Dust Caps

Feature:

- not supplied with pins



Coupler Size	Hole Diameter	Brass Part #	316 Investment Stainless Steel Part #
2"	9/32"	200-LH-BR	200-LH-SI
3"	5/16"	300-LH-BR	300-LH-SI
4"	3/8"	400-LH-BR	400-LH-SI

Paddle Handle for Dixon Couplings

Feature:

- not supplied with pins



Coupler Size	Brass Part #
3" and 4"	300H-PADBR



Coupler Size	316 Investment Cast Stainless Steel Part #
3" and 4"	300H-PADSS

Boss-Lock Standard Handle Assemblies

assembly includes cam arm, pin and pull ring safety clip



Coupler Size	Brass Part #	316 Investment Cast Stainless Steel Part #	Plated Iron Part #
3/4" - 1"	BHSC175	RHSC175	---
1 1/4" - 2 1/2"	BHSC152	RHSC152	IHSC152
3" and 4"	BHSC34	RHSC34	IHSC34

assembly includes cam arm, pin and pull ring



Coupler Size	Brass Part #	Plated Iron Part #
6" and 8"	BH6	IH6

EZ Boss-Lock Handles

Features:

- investment cast stainless steel cam arm and lever
- 316 stainless steel spring
- stainless steel pin, washer, plated carbon steel pull ring

Coupler Size	316 Stainless Steel Part #
3/4" - 1"	RHEZ175
1 1/4" - 2 1/2"	RHEZ152
3" and 4"	RHEZ34
6" and 8"	RHEZ6



Under no circumstances should the EZ Boss-Lock cam arms be used on any fitting not specifically produced for their use. The aluminum, brass and iron are made from sand castings. To ensure proper functioning of the EZ Boss-Lock cam arm assemblies, we sort the castings to ensure there is sufficient length and orientation on the lugs on the main casting to engage the lever. We also buff or grind the rougher sand cast surface to ensure that the lever will move freely. The EZ Boss-Lock cam arms cannot be retrofitted onto existing aluminum, brass or plated iron Boss-Lock already in service.

Witches Hat Strainers

Features:

- used with female cam and groove couplings
- pre-attached Buna-N gasket

Size	304 Stainless Steel Part #	Buna-N Gasket Part #
3"	WH300-A	WH300-G
4"	WH400-A	WH400-G



Disk Strainers

Features:

- threads into bottom of female NPT fitting to protect equipment from large contaminants
- 304 stainless steel parts are investment castings

Size	Hole Size	6061T6 Aluminum Part #	304 Stainless Steel Part #
2"	1/4"	SDA200	SDS200
3"	1/4"	SDA300	SDS300
4"	1/4"	SDA400	SDS400



Pull Ring Safety Clips for Boss-Lock Couplings

Coupler Size	Carbon Steel Part #	316 Stainless Steel Part #
3/4" - 1"	---	100PRSCSS
1 1/4" - 2 1/2"	200PRSCCS	200PRSCSS
3" and 4"	300PRSCCS	300PRSCSS



Stainless Steel Pull Ring

304 Stainless Steel Part #
R200SS



Clips and Lanyards for Boss-Lock Couplings

Features:

- carbon steel clip
- nylon lanyard

Coupler Size	Part #
3/4" - 1"	ACL4
1 1/4" - 4"	ACL2



Features:

- carbon steel clip
- no lanyard supplied with this clip

Coupler Size	Part #
6"	ACL3





coupler sold separately

Locking Cam Arm Velcro® Straps

Applications:

- use with cam and groove couplers to prevent spills, secure from damage, and hold in place during transport

Features:

- high visibility orange hook and loop with metal buckle provides strength, durability and long life
- used on the female end of the cam and groove coupler

Length	Used On	Part #
12"	fits up to 1½" coupler	CVS12
18"	fits up to 3" coupler	CVS18
24"	fits up to 5" coupler	CVS24
36"	fits up to 8" coupler	CVS36

Carbon Steel Clip Assembly



Features:

- for use with Boss-Lock couplings
- includes a pull ring, chain and AC3 clip

Part #
BLCA152CS

Clip for Boss-Lock Couplings



Feature:

- .072 stainless steel wire

Stainless Steel Part #
AC7

Lanyard for Boss-Lock Couplings



Feature:

- breaking strength: 160 lbs.

304 Stainless Part #	Overall Length
LR7	7"

Jack Chains with S-Hooks



Length	Material	Part #	Opt Qty
6"	brass	CH-B-6	10
12"	brass	CH-B-12	10
24"	brass	CH-B-24	---
12"	carbon steel	CH-C-12	10
6"	stainless	CH-SS-6	10
12"	stainless	CH-SS-12	10
24"	stainless	CH-SS-24	10

Sash Chains with Pull Rings



Feature:

- brass chain, plated steel pull ring

Length	Part #
4½"	J125
6½"	J150
8½"	J300
12¾"	J500

PVC Coated Lanyards



Features:

- PVC coated carbon steel with aluminum crimp sleeves
- one end factory crimped, one end uncrimped for field installation

Length	Part #
15"	CAL15
25"	CAL25

Cam and Groove Gaskets


Feature:

- white neoprene and white Buna-N gaskets all contain FDA approved materials

Size	Buna-N Part #	FKM Part #	Extra thick Buna-N Part #	Ethylene Propylene Part #
1/2"	50-G-BU	50-G-VI	---	---
3/4"	75-G-BU	75-G-VI	---	75-G-EPR
1"	100-G-BU	100-G-VI	100GTHK	100-G-EPR
1 1/4"	125-G-BU	125-G-VI	125GTHK	125-G-EPR
1 1/2"	150-G-BU	150-G-VI	150GTHK	150-G-EPR
2"	200-G-BU	200-G-VI	200GTHK	200-G-EPR
2 1/2"	250-G-BU	250-G-VI	250GTHK	250-G-EPR
3"	300-G-BU	300-G-VI	300GTHK	300-G-EPR
4"	400-G-BU	400-G-VI	400GTHK	400-G-EPR
5"	500-G-BU	500-G-VI	---	---
6"	600-G-BU	600-G-VI	---	---
8"	800-G-BU	800-G-VI	---	---

Size	Neoprene Part #	White Neoprene Part #	White Buna-N Part #	Silicone Part #
1/2"	---	---	---	---
3/4"	75-G-NE	---	---	---
1"	100-G-NE	---	---	---
1 1/4"	125-G-NE	---	---	---
1 1/2"	150-G-NE	150-G-WNE	---	150-G-SIL
2"	200-G-NE	200-G-WNE	---	200-G-SIL
2 1/2"	250-G-NE	---	---	---
3"	300-G-NE	300-G-WNE	300-G-WB	300-G-SIL
4"	400-G-NE	400-G-WNE	400-G-WB	400-G-SIL
5"	---	500-G-WNE	---	---
6"	---	600-G-WNE	---	---
8"	---	---	---	---

Cam and Groove Fuel Gaskets

Size	Part #	Material
1 1/2"	150-G-BF	<i>Buna</i>
2"	200-G-BF	<i>Buna</i>
3"	300-G-BF	<i>Buna</i>
4"	400-G-BF	<i>Buna</i>
3"	300GTHKBF	<i>extra thick Buna-N</i>
4"	400GTHKBF	<i>extra thick Buna-N</i>



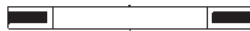
PTFE Cam and Groove Gaskets

The torque (force) required to close the handles on a pair of cam and groove fittings will vary according to the gasket chosen. Due to the nature of the PTFE material, the various PTFE gasket designs will require the most torque, increasing as you go from envelope to encapsulated, and finally, accordion.

Features:



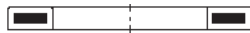
- PTFE white Buna filler (TFWB) and PTFE encapsulated silicone (TES) all contain FDA approved materials
- PTFE accordion gaskets (TFACC) are recommended for use with viscous (thick) fluids only
- encapsulated gasket pressure ratings are reduced to **125 PSI** for ¾" - 4" at ambient temperature (**70°F**)
- PTFE encapsulated FKM (TEV) gaskets - maximum operating temperature **200°F**
- PTFE encapsulated silicone gaskets (TES) gaskets - maximum operating temperature **225°F**
- *maximum operating temperatures for specific chemicals may be lower, contact Dixon for specific recommendations*



Envelope

Envelope

Size	PTFE (TFE) with Buna-N filler Part #	PTFE (TFE) with FKM filler Part #	PTFE (TFE) with white Buna-N filler Part #	PTFE (TFE) with Ethylene Propylene filler Part #
½"	50-G-TF	50-G-TF-VI	---	---
¾"	75-G-TF	75-G-TF-VI	---	---
1"	100-G-TF	100GTFVI	---	---
1¼"	125-G-TF	125GTFVI	---	---
1½"	150-G-TF	150GTFVI	---	150GTFEP
2"	200-G-TF	200GTFVI	200GTFWB	200GTFEP
2½"	250-G-TF	250GTFVI	---	---
3"	300-G-TF	300GTFVI	300GTFWB	300GTFEP
4"	400-G-TF	400GTFVI	400GTFWB	---
5"	---	---	500GTFWB	---
6"	600-G-TF	600GTFVI	---	---



Encapsulated

Encapsulated

Size	PTFE (FEP) encapsulated silicone Part #	PTFE (FEP) encapsulated FKM Part #
¾"	75-G-TES	75-G-TEV
1"	100-G-TES	100-G-TEV
1¼"	125-G-TES	125-G-TEV
1½"	150-G-TES	150-G-TEV
2"	200-G-TES	200-G-TEV
2½"	250-G-TES	250-G-TEV
3"	300-G-TES	300-G-TEV
4"	400-G-TES	400-G-TEV

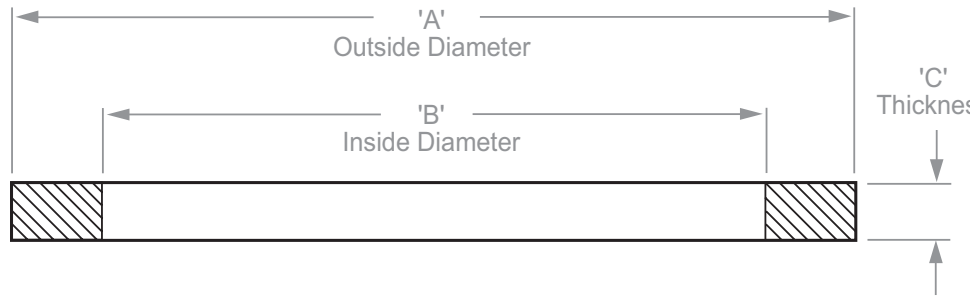


Accordion

Accordion

Size	PTFE (TFE) Part #
¾"	75GTFACC
1"	100GTFACC
1¼"	125GTFACC
1½"	150GTFACC
2"	200GTFACC
3"	300GTFACC

Dixon Cam and Groove Gasket Dimensions



- nominal dimensions for Dixon's elastomeric cam and groove gaskets are listed
- ID's of the PTFE envelope gaskets and the PTFE accordion gaskets are $1/16''$ smaller than the ID's for the elastomeric gaskets shown below
- thickness of PTFE accordion gaskets may vary from chart below

Size	Part #	Dimensions		
		'A'	'B'	'C'
1/2"	50-G ¹	1-1/32"	11/16"	.156"
3/4"	75-G	1-3/8"	7/8"	.218"
1"	100-G	1-9/16"	1-1/16"	.250"
1 1/4"	125-G	1-15/16"	1-23/64"	.250"
1 1/2"	150-G	2-3/16"	1-5/8"	.250"
2"	200-G	2-5/8"	2"	.250"
2 1/2"	250-G	3-1/8"	2-3/8"	.250"
3"	300-G	3-23/32"	3"	.250"
4"	400-G	4-7/8"	4"	.250"
5"	500-G	5-15/16"	4-7/8"	.250"
6"	600-G	7-1/16"	6"	.250"
8"	800-G ¹	9-5/16"	8-1/8"	.343"



¹ No interchange standard exists for the 1/2" and 8" fittings. Generally, these sizes do not interchange with other manufacturer's products. As such, the gaskets in these sizes are not suitable for use in other manufacturers' couplings.

Dixon Cam and Groove Gasket Color Codes

Gasket Code ¹	Gasket Material	Material Color	Color code stripes (appear on the OD of the gasket or filler)
-BU	Buna-N (standard in all metal fittings)	black	1 blue
-BF	Buna (formulated for fuel service)	black	1 green
-VI	FKM	black	1 yellow
-THK	Extra Thick Buna	black	2 blue
-EPR	Ethylene Propylene	black	1 white
-NE	Neoprene	black	1 red
-WNE	White Neoprene, FDA approved material	white	none
-WB	White Buna N, FDA approved material	white	blue
-SIL	Silicone	red	none
-TF	PTFE (TFE) Envelope with Buna-N filler	white / black	1 blue
TFVI	PTFE (TFE) Envelope with FKM filler	white / black	1 yellow
TFWB	PTFE (TFE) Envelope with White Buna-N filler, FDA approved materials	white / white	blue
TFEP	PTFE (TFE) Envelope with Ethylene Propylene filler	white / black	1 white stripe
-TES	PTFE (FEP) Encapsulated Silicone core, FDA approved materials	translucent / red	none
-TEV	PTFE (FEP) Encapsulated FKM core	translucent / black	none
TFACC	PTFE (TFE) Accordion, FDA approved materials	white	none

¹ part number suffix



Since other manufacturer's coding systems vary, this chart should not be used as a reference in identifying gaskets of unknown origin.

Dixon, founded in 1916, is a premier manufacturer and supplier of hose couplings, valves, dry-disconnects, swivels, and other fluid transfer and control products. The company's global reach includes a wide range of products for numerous industries including petroleum exploration, refining, transportation, chemical processing, food & beverage, steel, fire protection, construction, mining and manufacturing. Dixon's strategic objective is to create solutions that make products safer, leak-free, longer lasting, and always available.

dixonvalve.com • *Customer Service:* **877.963.4966**

Dixon Valve

800 High Street, Chestertown, MD 21620
Fax: 800.283.4966



YouTube™



Dixon
Customer Service