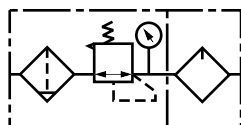




## JAC Series 1000 ~ 5000 Air Filter Combination (F.R.L. Combination)



### Symbol



### Ordering Information

Part Number	Descriptions
JAC3000-02NPT-04	Air Filter Combination FRL 1/4"
JAC4000-03NPT-06	Air Filter Combination FRL 3/8"
JAC4000-04NPT-08	Air Filter Combination FRL 1/2"
JAC4000-06NPT-12	Air Filter Combination FRL 3/4"
JAC5000-10NPT-16	Air Filter Combination FRL 1"

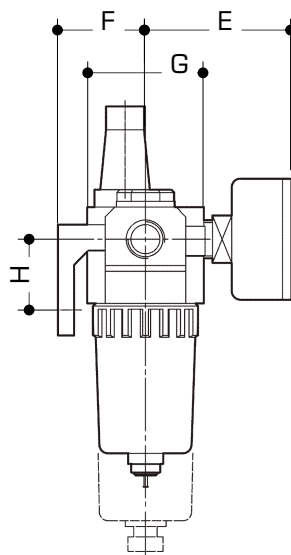
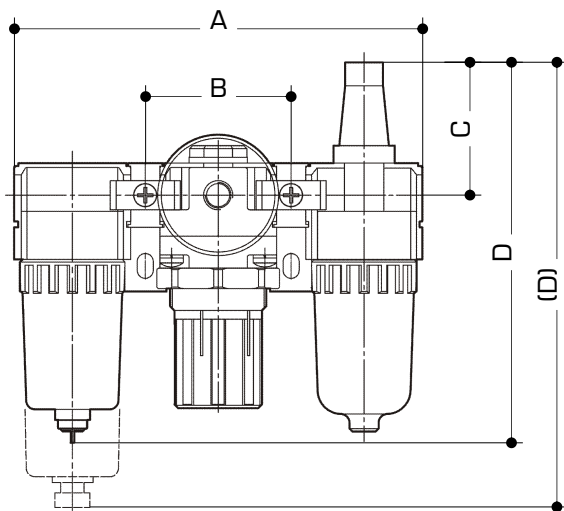
### Specification

Model	JAC3000-02	JAC4000-03	JAC4000-04	JAC4000-06	JAC5000-10
Rated Flow	2000	4000	4000	4500	5000
Port Size	1/4	3/8	1/2	3/4	1
Filter Precision	25 μm				
Max Adjustable Pressure	1.0 MPa				
Proof Pressure Resistance	1.5 MPa				
Operating Temperature Range	5 ~ 60 C				
Range Of Adjustable Pressure	0.05 ~ 0.85 MPa				
Recommended Lubricant	ISO VG 32				
Container Material	Poly Carbonate				
Protective Cup Cover	Iron				
Drain Function	Differential Drain, Automatic Drain				
Valve Type	With Overflow				

## JAC Series 1000 ~ 5000 Air Filter Combination (F.R.L. Combination)

### Dimension

Model	Bore	A	B	C	D	E	F	G	H
JAC3000-02	1/4	181	64	38	156.5	60.8	41	53	35
JAC4000-03	3/8	238	84	41	191.5	65.5	50	70	40
JAC4000-04	1/2	238	84	41	191.5	65.5	50	70	40
JAC4000-06	3/4	253	89	41	193	69.5	50	70	40
JAC5000-10	1	300	105	48	271.5	75.5	69.8	90	50



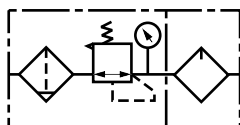
## JAC Series 1010 ~ 5010 Air Filter Combination (F.R.L. Combination)



JAC3010-N

JAC4010

### Symbol



### Ordering Information

Part Number	Descriptions
JAC3010-02NPT-04	Air Filter Combination FRL 1/4"
JAC4010-03NPT-06	Air Filter Combination FRL 3/8"
JAC4010-04NPT-08	Air Filter Combination FRL 1/2"
JAC4010-06NPT-12	Air Filter Combination FRL 3/4"
JAC5010-10NPT-16	Air Filter Combination FRL 1"

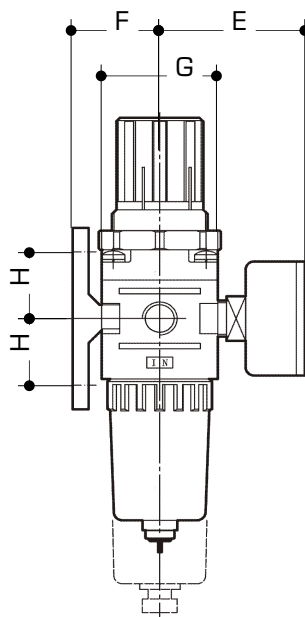
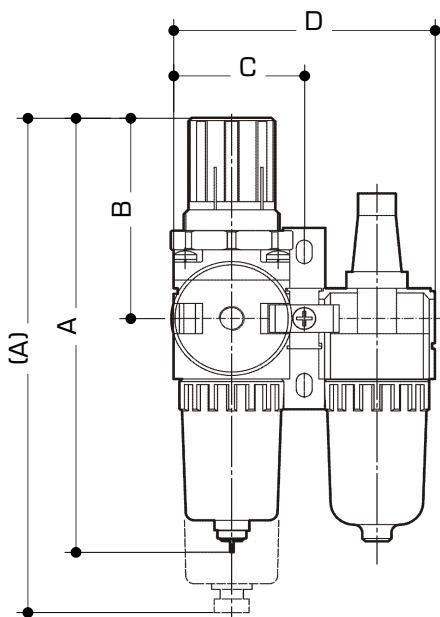
### Specification

Model	JAC3010-02	JAC3010-03	JAC4010-04	JAC4010-06	JAC5010-10
Rated Flow	1700	1700	3000	3000	4000
Port Size	1/4	3/8	1/2	3/4	1
Filter Precision	25 $\mu$ m				
Max Adjustable Pressure	1.0 MPa				
Proof Pressure Resistance	1.5 MPa				
Operating Temperature Range	5 ~ 60 C				
Range Of Adjustable Pressure	0.05 ~ 0.85 MPa				
Recommended Lubricant	ISO VG 32				
Container Material	Poly Carbonate				
Protective Cup Cover	Iron				
Drain Function	Semi-automatic Drain, Automatic Drain				
Valve Type	With Overflow				

## JAC Series 1010 ~ 5010 Air Filter Combination (F.R.L. Combination)

### Dimension

Model	Bore	A	B	C	D	E	F	G	H
JAC3010-02	1/4	211	92.5	58.5	117	60.8	41	53	35
JAC3010-03	3/8	211	92.5	58.5	117	60.8	41	53	35
JAC4010-04	1/2	262	112	77	154	70.5	50	70	40
JAC4010-06	3/4	267	114	82	164	70.5	50	70	40
JAC5010-10	1	338	116	97.5	195	75.5	69	90	50



# Ordering Information



PUSH IN L FITTING GSL

PART NO.	DESCRIPTION	UOM	QTY
PL8-02NPT	Push In L Fitting GSL - 1/4 -8	Each	1



PUSH IN FITTING GS

PART NO.	DESCRIPTION	UOM	QTY
PC8-01NPT	Push In Fitting GS - 1/4 -8	Each	1
PC8-01NPT	Push In Fitting GS - 1/8 -8	Each	1



PUSH IN TEE GST

PART NO.	DESCRIPTION	UOM	QTY
PE6-06	Push In Tee GST -06	Each	1
PE8-08	Push In Tee GST -08	Each	1
PE10-10	Push In Tee GST -10	Each	1



PUSH IN CONNECTOR GS

PART NO.	DESCRIPTION	UOM	QTY
PU4-04	Push In Connector GS -04	Each	1
PU6-06	Push In Connector GS -06	Each	1
PU8-08	Push In Connector GS -08	Each	1
PU10-10	Push In Connector GS -10	Each	1
PU12-12	Push In Connector GS -12	Each	1
PU16-16	Push In Connector GS -16	Each	1

# Ordering Information



PLASTIC TUBING PUN

PART NO.	DESCRIPTION	UOM	QTY
PU0640BLUE-06/50	Plastic Tubing PUN - H6 x 1BL (1 Roll)	Meter	50
PU0850BLUE-08/50	Plastic Tubing PUN - H8 x 1.25BL (1 Roll)	Meter	50
PU1065BLUE-10/50	Plastic Tubing PUN - H10 x 1.5BL (1 Roll)	Meter	50
PU1280BLUE-12/50	Plastic Tubing PUN - H12 x 2BL (1 Roll)	Meter	50



Distributor :

## HARTEX GLOBAL INDUSTRIAL

### Factory :

Green Sedayu Bizpark Cakung Blok GS 5 No. 102  
Jl. Cakung Cilincing Timur Raya KM. 2  
Cakung - Jakarta Timur - 13910

☎ : +62 21 461 3110 | 📞 : +62 811 803 6799  
Email: [info@hartex.id](mailto:info@hartex.id) | Web: [www.hartex.id](http://www.hartex.id)